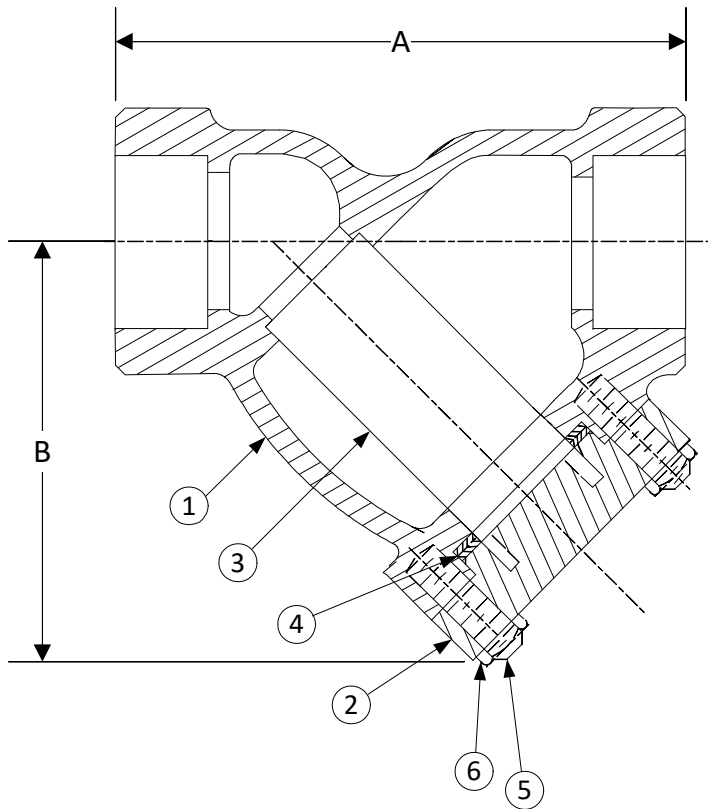


DRAWING NO.
AL 90460



| BODY PRESSURE & TEMPERATURE RATINGS – NON SHOCK | | |
|---|--------|-------------------|
| NOM. RATING | MEDIA | 1/2" to 3" |
| 1500# (SOCKET WELD) | STEAM | 1500 PSI @ 1125°F |
| | W.O.G. | 3600 PSI @ 100°F |

| PARTS LIST | | |
|------------|-------------|---|
| ITEM | DESCRIPTION | MATERIAL |
| 1 | BODY | STAINLESS STEEL (ASTM A 351, GRADE CF8M) |
| 2 | COVER | STAINLESS STEEL (ASTM A 351, GRADE CF8M) |
| 3 | SCREEN | STAINLESS STEEL (304) |
| 4 | GASKET | SPIRAL WOUND STAINLESS STEEL (304) WITH GRAPHITE FILLER |
| 5 | STUDS | STAINLESS STEEL (ASTM A 193, GRADE B8) |
| 6 | NUTS | STAINLESS STEEL (ASTM A 194, GRADE 8) |

| Product Number† | SIZE | DIMENSIONS (in) | | COVER | | WEIGHT (lbs) |
|----------------------|-------|-----------------|--------|--------------|----------------|--------------|
| | | A | B | No. of Bolts | Size of Bolts | |
| 1/27SWY-36062P34-GB | 1/2 | 3-15/16 | 3 | 4 | 1/2-13 x 1-7/8 | 10 |
| 3/47SWY-36062P34-GB | 3/4 | 4-1/4 | 3-3/4 | 4 | 5/8-11 x 2 | 12 |
| 17SWY-36062P34-GB | 1 | 6 | 5-3/4 | 4 | 3/4-10 x 2-1/2 | 15 |
| 11/47SWY-36062P34-GB | 1-1/4 | 8-1/4 | 5-1/2 | 4 | 5/8-11 x 2-3/4 | 22 |
| 11/27SWY-36062P34-GB | 1-1/2 | 8-1/4 | 5-1/2 | 4 | 5/8-11 x 2-3/4 | 22 |
| 27SWY-36062P34-GB | 2 | 9-5/16 | 9-1/4 | 4 | 5/8-11 x 3-1/4 | 30 |
| 21/27SWY-36062P34-GB | 2-1/2 | 12 | 10-1/2 | 4 | 7/8-9 x 4 | 50 |
| 37SWY-36062P34-GB | 3 | 12 | 10-1/2 | 4 | 7/8-9 x 4 | 50 |

†See "Style SSB Product Number Configuration" for additional options.
Face to face values tolerance in compliance with ASME B16.11.

STANDARD SCREENS SUPPLIED

| SIZE | SCREEN PERFORATION | | | |
|----------|--------------------|-----------|-----------|-----------|
| | FOR LIQUID | OPEN AREA | FOR STEAM | OPEN AREA |
| in | in | | in | |
| 1/2 to 3 | 1/16 | 30% | 1/32 | 28% |

Standard screens supplied are for **liquid service**, unless otherwise specified.
Options: Other meshes, perforations, and screen materials are available.

KECKLEY

3400 CLEVELAND SKOKIE ILLINOIS

DRAWING NO.
AL 90460

DIMENSIONAL ASSEMBLY

PART NO.

1/2" to 3" 1500# Socket Weld Style SSB

SCALE: NTS

DATE: 09/21/2020

MAT'L: Cast Stainless Steel (316)

REQ. ---

DR. BY DSF