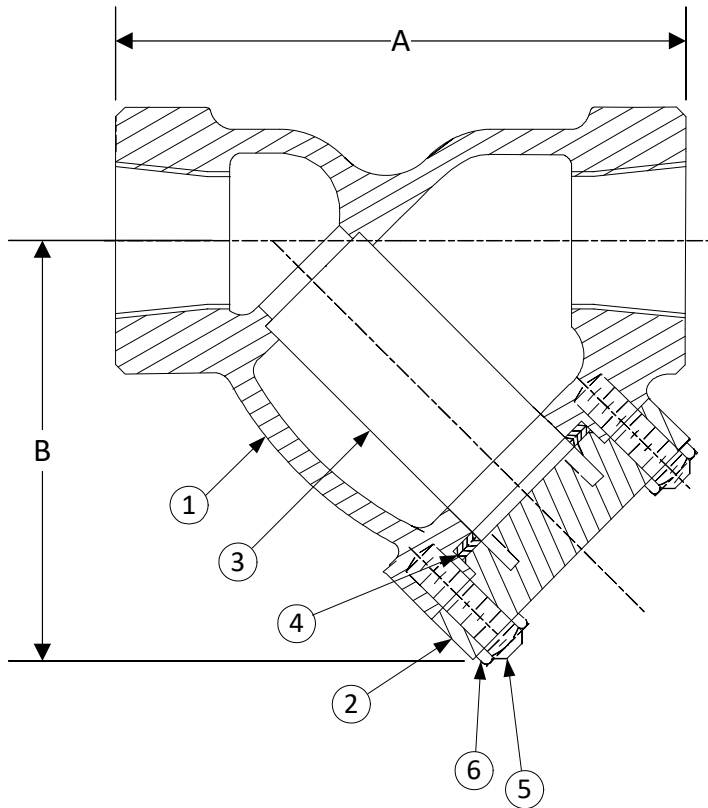


DRAWING NO.
AL 90440



BODY PRESSURE & TEMPERATURE RATINGS – NON SHOCK		
NOM. RATING	MEDIA	1/2" to 3"
1500# (THREADED)	STEAM	1500 PSI @ 1125°F
	W.O.G.	3600 PSI @ 100°F

PARTS LIST		
ITEM	DESCRIPTION	MATERIAL
1	BODY	STAINLESS STEEL (ASTM A 351, GRADE CF8M)
2	COVER	STAINLESS STEEL (ASTM A 351, GRADE CF8M)
3	SCREEN	STAINLESS STEEL (304)
4	GASKET	SPIRAL WOUND STAINLESS STEEL (304) WITH GRAPHITE FILLER
5	STUDS	STAINLESS STEEL (ASTM A 193, GRADE B8)
6	NUTS	STAINLESS STEEL (ASTM A 194, GRADE 8)


Product Number†	SIZE	DIMENSIONS (in)		COVER		WEIGHT (lbs)
		A	B	No. of Bolts	Size of Bolts	
1/27THY-36062P34-GB	1/2	3-15/16	3	4	1/2-13 x 1-7/8	10
3/47THY-36062P34-GB	3/4	4-1/4	3-3/4	4	5/8-11 x 2	12
17THY-36062P34-GB	1	6	5-3/4	4	3/4-10 x 2-1/2	15
11/47THY-36062P34-GB	1-1/4	8-1/4	5-1/2	4	5/8-11 x 2-3/4	22
11/27THY-36062P34-GB	1-1/2	8-1/4	5-1/2	4	5/8-11 x 2-3/4	22
27THY-36062P34-GB	2	9-5/16	9-1/4	4	5/8-11 x 3-1/4	30
21/27THY-36062P34-GB	2-1/2	12	10-1/2	4	7/8-9 x 4	50
37THY-36062P34-GB	3	12	10-1/2	4	7/8-9 x 4	50

†See "Style SSB Product Number Configuration" for additional options.
Face to face values tolerance in compliance with ASME B16.34.

STANDARD SCREENS SUPPLIED

SIZE	SCREEN PERFORATION			
	FOR LIQUID	OPEN AREA	FOR STEAM	OPEN AREA
in	in		in	
1/2 to 3	1/16	30%	1/32	28%

Standard screens supplied are for **liquid service**, unless otherwise specified.
Options: Other meshes, perforations, and screen materials are available.

 3400 CLEVELAND SKOKIE ILLINOIS		DRAWING NO. AL 90440
		PART NO.
DIMENSIONAL ASSEMBLY		SCALE: NTS
1/2" to 3" 1500# Threaded Style SSB		DATE: 09/21/2020
MAT'L: Cast Stainless Steel (316)	REQ. ---	DR. BY DSF