

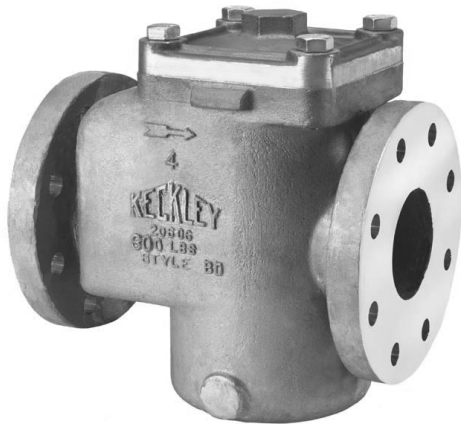
Style BD & BDV

Basket Strainer

Cast Bronze (ASTM B 62, C83600)

150 lb. & 300 lb. Flanged

Cast Bronze Basket Strainer



APPLICATIONS

Steam, water, oil or gas where protection from foreign matter in a pipeline is required.

CONSTRUCTION

The Keckley Style BD & BDV strainers are constructed from rugged cast bronze castings that are machined to exacting specifications. These bodies have drilled flanges that are in accordance with ASME B16.24.

FEATURES

The Keckley Style BD & BDV strainers feature a machined basket seat to minimize particle bypass. All sizes have a bolted top cover flange for ease in basket removal. The gasket is a synthetic fiber gasket is compressed between the body and cover for maximum strength and durability. All Keckley Style BD & BDV strainers are furnished standard with a tapped and plugged NPT drain connection.

BASKETS

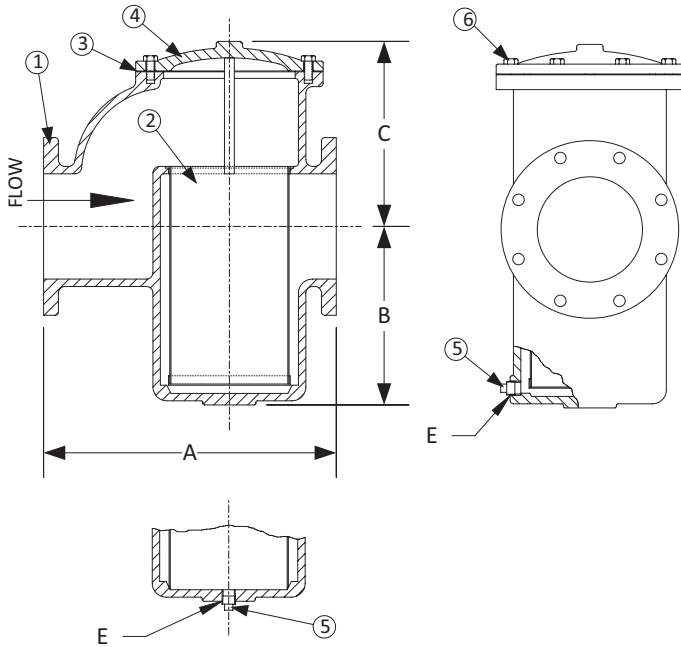
Standard baskets are 304 stainless steel and are spot welded for maximum strength. Different size perforations and meshes are available in stainless steel, monel, and brass to meet specific media requirements. If media is not indicated, screens for *water* will be supplied.

CLEANING

Cleaning of the Style BD strainer is accomplished by removing the cover and pulling out the basket. The Style BDV basket has an open bottom and is cleaned by blowing trapped material out through the blow-off connection similar to a "Y" type strainer. **Warning:** See Maintenance Instructions on page S6 of the Strainer Information Section for additional precautions and detailed information on servicing the strainer.

WORKING PRESSURES - NON SHOCK

NOM. RATING	MEDIA	2" to 12"	50 mm to 300 mm
150# F.F. & D (STANDARD FLANGE)	STEAM	150 PSI @ 406°F	1035 KPa @ 208°C
	W.O.G.	225 PSI @ 150°F	1552 KPa @ 66°C
NOM. RATING	MEDIA	2" to 12"	50 mm to 300 mm
300# F.F. & D (EX. HEAVY FLANGE)	STEAM	300 PSI @ 406°F	2069 KPa @ 208°C
	W.O.G.	500 PSI @ 150°F	3449 KPa @ 66°C



Style BDV has a bottom blow off with an open bottom basket.

Style BD & BDV

Basket Strainer, 150 lb. & 300 lb. Flanged
Cast Bronze (ASTM B 62, C83600)

PARTS LIST		
ITEM	DESCRIPTION	MATERIAL
1	Body	Cast Bronze (ASTM B 62, C83600)
2	Basket	Stainless Steel (304)
3	Gasket	Composition
4	Cover	Cast Bronze (ASTM B 62, C83600)
5	Pipe Plug	Brass
6	Hex Head Cap Screws	Steel

STANDARD SCREENS SUPPLIED							
SIZE		SCREEN PERFORATION					
		FOR LIQUID		OPEN AREA	FOR STEAM		OPEN AREA
in	mm	in	mm		in	mm	
2 to 4	50 to 100	1/16	1.6	30%	3/64	1.2	33%
5 to 12	125 to 300	1/8	3.2	43%	1/16	1.6	30%

Standard screens supplied are for **liquid service**, unless otherwise specified.
Options: Other meshes, perforations, and screen materials are available.

SIZE		DIMENSIONS										WEIGHTS			
		A		B		C		E		150#		300#			
		150#	300#	150# & 300#	150# & 300#	150# & 300#	150# & 300#	150#	300#	lbs	kgs	lbs	kgs		
in	mm	in	mm	in	mm	in	mm	in	mm	in	mm	lbs	kgs	lbs	kgs
2	50	7-3/4	197	8-1/4	210	3-15/16	100	5-1/4	133	1/2	15	27	12	33	15
2-1/2	65	8-3/4	222	9-1/4	235	4	102	6	152	1/2	15	38	17	47	21
3	80	9-3/4	248	10-5/16	262	5	127	7	178	1/2	15	52	24	63	29
4	100	12-3/4	324	13-1/2	343	6-3/4	171	9-1/2	241	1/2	15	135	61	142	64
5	125	16-1/2	419	17-1/4	438	9-7/8	251	12	305	3/4	20	193	88	228	103
6	150	16-5/8	422	17-3/8	441	9-7/8	251	12	305	3/4	20	201	91	243	110
8	200	21-5/8	549	22-1/2	572	13-3/4	349	14	356	3/4	20	397	180	472	214
10	250	25-5/8	651	29-3/4	756	17	432	18	457	3/4	20	791	359	860	390
12	300	29-5/8	752	31-5/8	803	20-5/8	524	21	533	2	50	1305	592	1478	670

Certified dimensional drawings are available upon request.

†This table reflects only the nearest metric equivalents.

Face to face values tolerance in compliance with ASME B16.24.

FLOW COEFFICIENTS

Size	C _v	Size	C _v	Size	C _v
2"	55.7	4"	208.7	8"	784.3
2-1/2"	88.5	5"	354.2	10"	1208.0
3"	123.3	6"	430.1	12"	1868.9

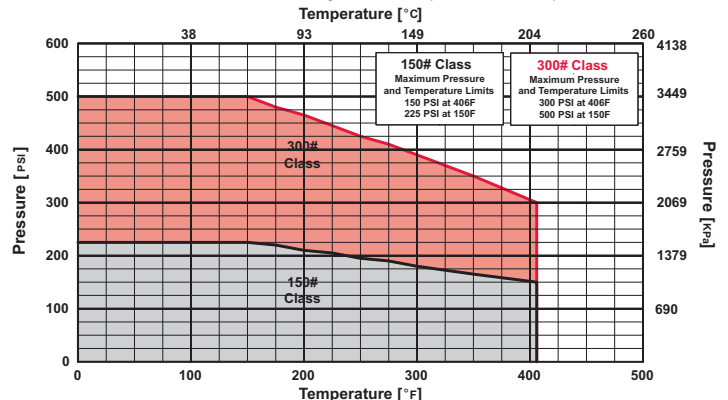
TOTAL SCREEN AREA

Size	(in ²)	Size	(in ²)	Size	(in ²)
2"	39.45	4"	152.58	8"	529.98
2-1/2"	51.66	5"	295.54	10"	808.58
3"	84.84	6"	295.54	12"	1252.0

*See DETERMINING RATIOS on page S5 of the Strainer Information Section for calculating NET FREE AREA of the screen to inside pipe area.

PRESSURE vs. TEMPERATURE CHART

150# & 300# Flanged Cast Bronze (ASTM B 62, C83600)



*In Accordance with ASME B16.24

PRESSURE DROP CHART

Basket Strainers (Styles D, DV, BD, BDV, SD, SDK, SSD, AND SSDK)

This pressure drop chart is based on the flow of clean water through the Keckley strainer styles listed above with screen perforations ranging from 3/64" through 1/8".

TO USE CHARTS:

Find your desired rate of flow (GPM) on the left hand side of the chart. Follow its corresponding horizontal line to the point where it intersects the diagonal line indicating the strainer pipe size. From this point of intersection, follow the vertical line down to the bottom of the chart to determine the approximate pressure drop.

CORRECTION FACTORS:

For finer mesh baskets that are backed with a perforated sheet, multiply the pressure drops shown at right by the following:

- 40 mesh x 1.2
- 60 mesh x 1.4
- 80 mesh x 1.6
- 100 mesh x 1.7

