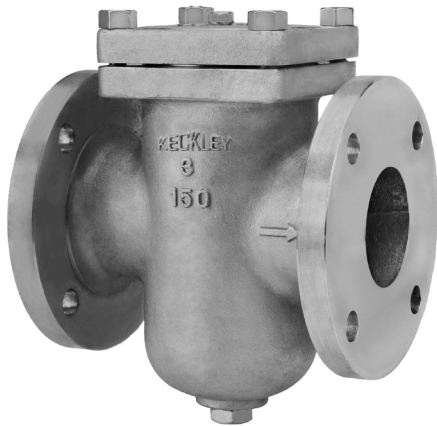


Style BGFV

Basket Strainer

Cast Nickel Aluminium Bronze
(ASTM B 148, C95800)

Class 150 FF Flanged



Nickel Aluminum Bronze Basket Strainer

APPLICATIONS

Steam, water, oil or gas where protection from foreign matter in a pipeline is required.

CONSTRUCTION

The Keckley Style BGFV strainers are constructed from rugged bronze castings that are machined to exacting specifications. These bodies have drilled flanges that are in accordance with ASME B16.24. All flanges come standard with back-faced bolt holes.

FEATURES

The Keckley Style BGFV strainers feature a basket with an angular cutaway design to allow straight through flow and extremely low pressure loss. All sizes have a bolted top cover flange for ease in basket removal. The gasket is spiral wound stainless steel and is compressed between the body and cover (for maximum strength and durability) and designed for high pressure and high temperature service. Keckley Style BGFV strainers have hex head cap screws and are furnished standard with a tapped and plugged NPT drain connection.

BASKETS

Standard baskets are 304 stainless steel and are spot welded for maximum strength. Different size perforations and meshes are available in stainless steel, monel, and brass to meet specific media requirements. If media is not indicated, screens for *water* will be supplied.

CLEANING

Cleaning of the Style BGFV strainer is accomplished by removing the cover and pulling out the basket. **Warning:** See Maintenance Instructions on page **S6** of the Strainer Information Section for additional precautions and detailed information on servicing the strainer.

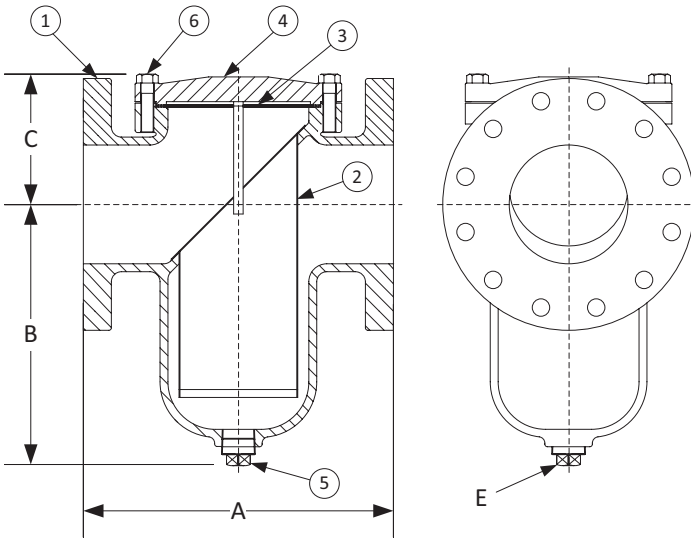
WORKING PRESSURES - NON SHOCK

NOM. RATING	MEDIA	1-1/2" to 12"	40 mm to 300 mm
CLASS 150	STEAM	150 PSI @ 406°F	1035 KPa @ 208°C
	W.O.G.	275 PSI @ 100°F	1896 KPa @ 38°C

Style BGFV

Basket Strainer, Class 150 FF Flanged

Cast Nickel Aluminum Bronze (ASTM B 148, C95800)



PARTS LIST

ITEM	DESCRIPTION	MATERIAL
1	Body	Nickel Aluminum Bronze (ASTM B 148, C95800)
2	Basket	Stainless Steel (304)
3	Gasket	Spiral Wound Stainless Steel (304) -Graphite Filled
4	Cover	Nickel Aluminum Bronze (ASTM B 148, C95800)
5	Pipe Plug	Stainless Steel (316)
6	Hex Head Cap Screws	Stainless Steel (316)

STANDARD SCREENS SUPPLIED

SIZE		SCREEN PERFORMANCE					
		FOR LIQUID		OPEN AREA	FOR STEAM		OPEN AREA
in	mm	in	mm		in	mm	
1-1/2 to 4	40 to 100	1/16	1.6	30%	3/64	1.2	33%
5 to 12	125 to 300	1/8	3.2	43%	1/16	1.6	30%

Standard screens supplied are for **liquid service**, unless otherwise specified.
Options: Other meshes, perforations, and screen materials are available.

SIZE		DIMENSIONS							
		A		B		C		E	
in	mm	in	mm	in	mm	in	mm	in	mm
1-1/2	40	6-1/2	165	1-1/2	38	4	102	1/2	15
2	50	8-1/2	216	5-7/8	149	4-3/4	121	1/2	15
2-1/2	65	8	203	5-7/16	138	4-1/4	108	3/4	20
3	80	8-3/4	222	5-11/16	144	5-5/8	143	3/4	20
4	100	11-3/16	284	8-1/4	210	6-1/16	154	1	25
5	125	12-1/4	311	10-1/4	260	5-5/8	143	1	25
6	150	13-7/8	352	12-13/64	310	6-5/16	149	1-1/4	32
8	200	17-3/8	441	15-9/16	395	8-3/16	208	1-1/2	40
10	250	22	559	16	406	10-3/8	264	1-1/2	40
12	300	25	635	23-3/4	603	12-3/8	314	2	50

Consult factory for sizes not shown.

Certified dimensional drawings are available upon request.

†This table reflects only the nearest metric equivalents.

Face to face values tolerance in compliance with ASME B16.24.

Size		WEIGHTS									
		1-1/2"	2"	2-1/2"	3"	4"	5"	6"	8"	10"	12"
150	lbs	22	31	34	42	68	115	115	245	399	450
	kgs	10	14	15	19	31	52	52	111	181	204

FLOW COEFFICIENTS							
Size	C _v	Size	C _v	Size	C _v	Size	C _v
1-1/2"	32	3"	120.2	6"	743.1	12"	4980.6
2"	42.7	4"	276.7	8"	1486.3		
2-1/2"	84	5"	442.7	10"	3051.6		

TOTAL SCREEN AREA							
Size	(in ²)	Size	(in ²)	Size	(in ²)	Size	(in ²)
1-1/2"	20.10	3"	54.53	6"	215.65	12"	1141.87
2"	53.42	4"	117.94	8"	401.76		
2-1/2"	45.72	5"	129.00	10"	591.73		

*See DETERMINING RATIOS on page S5 of the Strainer Information Section for calculating NET FREE AREA of the screen to inside pipe area.