

Style BGFV

Basket Strainer

Cast Nickel Aluminum Bronze

(ASTM B 148, C95800)

150 lb. Flanged



Cast Bronze Basket Strainer

APPLICATIONS

Steam, water, oil or gas where protection from foreign matter in a pipeline is required.

CONSTRUCTION

The Keckley Style BGFV strainers are constructed from rugged nickel aluminum bronze castings and are machined to exacting specifications. These bodies have drilled flanges that are in accordance with ASME B16.24. All flanges come standard with back-faced bolt holes.

FEATURES

The Keckley Style BGFV strainer features a basket with an angular cutaway design to allow straight through flow and extremely low pressure loss. All sizes have a bolted top cover flange for ease in basket removal. The gasket is spiral wound stainless steel and is compressed between the body and cover (for maximum strength and durability) and designed for high pressure and high temperature service. Keckley Style BGFV strainers have hex head cap screws and furnished standard with a tapped and plugged NPT drain connection.

BASKETS

Standard baskets are stainless steel and are spot welded for maximum strength. Different size perforations and meshes are available in stainless steel, monel, and brass to meet specific media requirements. If media is not indicated, screens for *water* will be supplied.

CLEANING

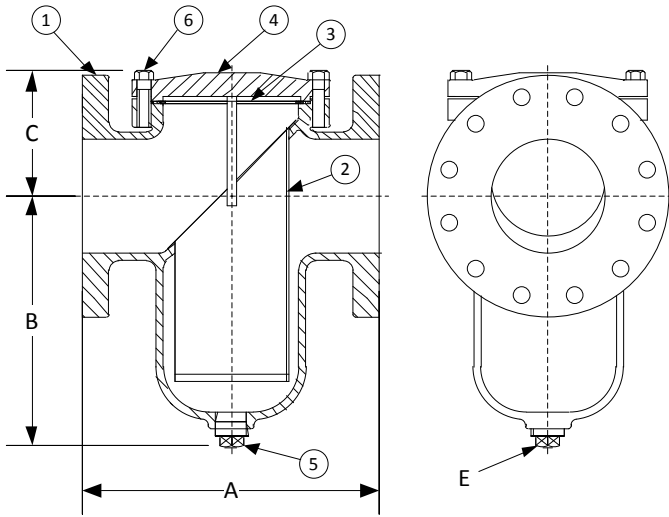
Cleaning of the Style BGFV strainer is accomplished by removing the cover and pulling out the basket. **Warning:** See Maintenance Instructions on page S6 of the Strainer Information Section for additional precautions and detailed information on servicing the strainer.

WORKING PRESSURES – NON SHOCK

NOM. RATING	MEDIA	1-1/2" to 12"	40 mm to 300 mm
150# F.F.& D. (STANDARD FLANGE)	STEAM	150 PSI @ 225°F	1034 KPa @ 107°C
	W.O.G.	195 PSI @ 100°F	1344 KPa @ 38°C
NOM. RATING	MEDIA	1-1/2" to 12"	40 mm to 300 mm
300# F.F.& D. (Ex. HEAVY FLANGE)	STEAM	360 PSI @ 500°F	2482 KPa @ 260°C
	W.O.G.	515 PSI @ 100°F	3551 KPa @ 38°C

Style BGFV

Basket Strainer, 150 lb. & 300 lb. Flanged
Cast Nickel Aluminum Bronze (ASTM B 148, C95800)



PARTS LIST		
ITEM	DESCRIPTION	MATERIAL
1	BODY	CAST NICKEL ALUMINUM BRONZE (ASTM B 148, C95800)
2	BASKET	STAINLESS STEEL (304)
3	GASKET	SPIRAL WOUND STAINLESS STEEL (304)
4	COVER	CAST NICKEL ALUMINUM BRONZE (ASTM B 148, C95800)
5	PIPE PLUG	STAINLESS STEEL (316)
6	HEX HEAD CAP SCREW	STAINLESS STEEL (316)

SIZE		SCREEN GAGE	SCREEN PERFORATION					
in	mm		FOR STEAM		FOR LIQUID			
			in	mm	OPEN AREA	in	mm	OPEN AREA
1-1/2 to 3	40 to 80	22	3/64	1.2	33%	1/16	1.6	30%
4 to 12	100 to 300	22	1/16	1.6	30%	1/8	3.2	43%

Standard screens supplied are for **liquid service**, unless otherwise specified.
Options: Other perforations, meshes, and screen materials are available.

SIZE		DIMENSIONS															
		A				B				C				E			
		150#		300#		150#		300#		150#		300#		150#		300#	
in	mm	in	mm	in	mm	in	mm	in	mm	in	mm	in	mm	in	mm	in	mm
1-1/2	40	6-1/2	165	7	178	1-1/2	38	4	102	4	102	3-3/4	95	1/2	15	1/2	15
2	50	8-1/2	216	8-13/16	224	5-7/8	149	4-3/4	121	4-3/4	121	3-3/4	95	1/2	15	1	25
2-1/2	65	8	203	9	229	5-7/16	138	5-5/8	143	4-1/4	108	4-5/8	117	3/4	20	1	25
3	80	8-3/4	222	10-1/16	256	5-11/16	144	5-11/16	144	5-5/8	143	5-5/8	143	3/4	20	3/4	20
4	100	11-3/16	284	12	305	8-1/4	210	8-1/4	210	6-1/16	154	6-1/16	154	1	25	1	25
5	125	12-1/4	311	13-1/8	333	10-1/4	260	10-1/4	260	5-5/8	143	5-5/8	143	1	25	1	25
6	150	13-7/8	352	15-9/16	395	12-13/64	310	12-13/64	310	6-5/16	149	6-5/16	160	1-1/4	32	1-1/4	32
8	200	17-3/8	441	18-7/8	479	15-9/16	395	15-9/16	395	8-3/16	208	8-3/16	208	1-1/2	40	1-1/4	40
10	250	22	559	21-5/16	541	16	406	14-3/8	365	10-3/8	264	9-7/8	251	1-1/2	40	2	50
12	300	25	635	25-3/8	645	23-3/4	603	23-3/4	603	12-3/8	314	12-3/8	314	2	50	2	50

Larger sizes available upon request.
Certified dimensional drawings are available upon request.
†This table reflects only the nearest metric equivalents.

WEIGHTS											
Size	1-1/2"	2"	2-1/2"	3"	4"	5"	6"	8"	10"	12"	
150	lbs	22	30	35	39	69	110	125	270	450	
	kgs	10	14	16	18	31	50	57	122	204	
300	Lbs	24	32	42	56	88	126	150	295	500	
	kgs	11	15	19	25	40	57	68	134	227	

FLOW COEFFICIENTS					
Size	C _v	Size	C _v	Size	C _v
2"	42.7	5"	442.7	10"	3051.6
3"	120.2	6"	743.1	12"	4980.6
4"	276.7	8"	1486.3		

TOTAL SCREEN AREA (150 LB.)					
Size	(in ²)	Size	(in ²)	Size	(in ²)
2"	53.42	5"	129.0	10"	591.73
3"	54.53	6"	215.65	12"	1040.63
4"	117.94	8"	401.76		

*See DETERMINING RATIOS on page S5 of the Strainer Information Section for calculating NET FREE AREA of the screen to inside pipe area.