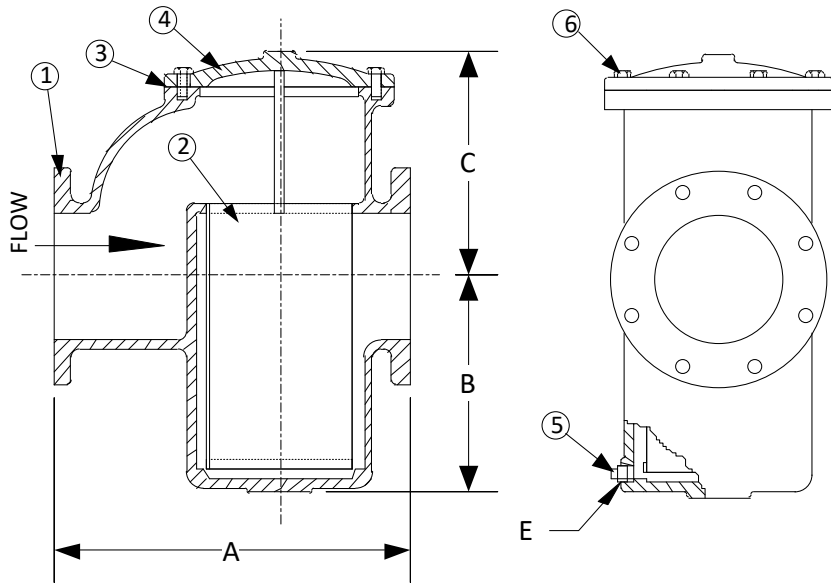
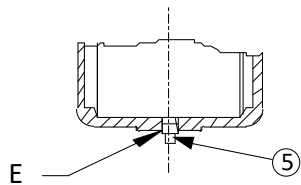


DRAWING NO.
25068 A



BODY PRESSURE & TEMPERATURE RATINGS – NON SHOCK		
NOM. RATING	MEDIA	2" to 12"
300# (EX. HEAVY FLANGE)	STEAM	300 PSI @ 406°F
	W.O.G.	500 PSI @ 150°F

PARTS LIST		
ITEM	DESCRIPTION	MATERIAL
1	BODY	CAST BRONZE (ASTM B 62, C83600)
2	BASKET	STAINLESS STEEL (304)
3	GASKET	COMPOSITION
4	COVER	CAST BRONZE (ASTM B 62, C83600)
5	PIPE PLUG	BRASS
6	HEX HEAD CAP SCREW	STEEL



Style BDV has a bottom blow off with an open bottom basket.

Product Number†	SIZE	DIMENSIONS (in)				COVER		WEIGHT (lbs)
		A	B	C	E	No. of Bolts	Size of Bolts	
24FFY-B2062P34-FB	2	8-1/4	3-15/16	5-1/4	1/2	4	1/2-13 x 1	33
21/24FFY-B2062P34-FB	2-1/2	9-1/4	4	6	1/2	4	1/2-13 x 1	47
34FFY-B2062P34-FB	3	10-5/16	5	7	1/2	4	1/2-13 x 1	63
44FFY-B2062P34-FB	4	13-1/2	6-3/4	9-1/2	1/2	4	3/4-10 x 2	142
54FFY-B2125P34-FB	5	17-1/4	9-7/8	12	3/4	8	5/8-11 x 1-1/2	228
64FFY-B2125P34-FB	6	17-3/8	9-7/8	12	3/4	8	5/8-11 x 1-1/2	243
84FFY-B2125P34-FB	8	22-1/2	13-3/4	14	3/4	8	5/8-11 x 1-1/4	472
104FFY-B2125P34-FB	10	29-3/4	17	18	3/4	8	1-8 x 3	860
124FFY-B2125P34-FB	12	31-5/8	2-5/8	21	2	12	1-8 x 3-1/2	1478

†See "Style BD - Flg Product Number Configuration" for additional options.
Face to face values tolerance in compliance with ASME B16.24.

STANDARD SCREENS SUPPLIED				
SIZE	SCREEN PERFORATION			
	FOR LIQUID	OPEN AREA	FOR STEAM	OPEN AREA
in	in		in	
2 to 4	1/16	30%	3/64	33%
5 to 12	1/8	43%	1/16	30%

Standard screens supplied are for liquid service, unless otherwise specified.
Options: Other perforations, meshes, and screen materials are available.

KECKLEY

3400 CLEVELAND SKOKIE ILLINOIS

DRAWING NO.
25068 A

DIMENSIONAL ASSEMBLY

PART NO.

300# Flange Style BD Cast Bronze

SCALE: NTS

Basket Strainer w/ 304 ss screen

DATE: 09/21/2020

MAT'L:

REQ. ---

DR. BY DSF