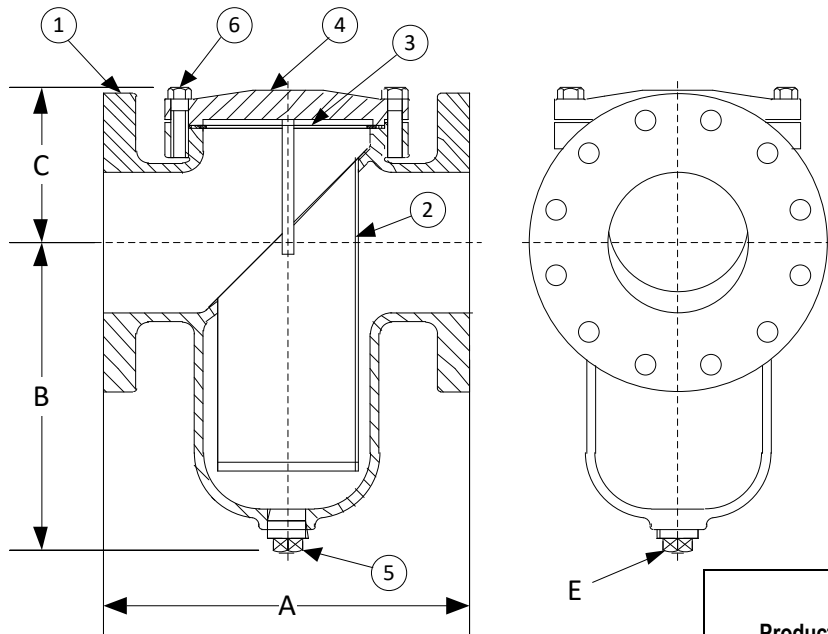


DRAWING NO.
AL 91050(NiAl)



BODY PRESSURE & TEMPERATURE RATINGS – NON SHOCK		
NOM. RATING	MEDIA	1-1/2" to 12"
CLASS 150	STEAM	150 PSI @ 406°F
	W.O.G.	275 PSI @ 100°F

PARTS LIST		
ITEM	DESCRIPTION	MATERIAL
1	BODY	CAST NICKEL ALUMINUM BRONZE (ASTM B 148, C95800)
2	BASKET	STAINLESS STEEL (304)
3	GASKET	SPIRAL WOUND STAINLESS STEEL (304) – GRAPHITE FILLED
4	COVER	CAST NICKEL ALUMINUM BRONZE (ASTM B 148, C95800)
5	PIPE PLUG	STAINLESS STEEL (316)
6	HEX HEAD CAP SCREW	STAINLESS STEEL (316)

Product Number†	SIZE	DIMENSIONS (in)				COVER		WEIGHT (lbs)
		A	B	C	E	No. of Bolts	Size of Bolts	
11/22FFS-NA062P34-GB	1-1/2	6-1/2	4-1/2	4	1/2	4	5/8-11 x 1-3/16	22
22FFS-NA062P34-GB	2	8-1/2	5-7/8	4-3/4	1/2	4	5/8-11 x 1-3/16	30
21/22FFS-NA062P34-GB	2-1/2	8	5-7/16	4-1/4	3/4	4	5/8-11 x 1-3/8	35
32FFS-NA062P34-GB	3	8-3/4	5-11/16	5-5/8	3/4	6	1/2-13 x 1-3/8	39
42FFS-NA062P34-GB	4	11-3/16	8-1/4	6-1/16	1	6	1/2-13 x 1-5/8	69
52FFS-NA125P34-GB	5	12-1/4	10-1/4	5-5/8	1	8	5/8-11 x 1-5/8	110
62FFS-NA125P34-GB	6	13-7/8	12-13/64	6-5/16	1-1/4	8	5/8-11 x 1-7/8	125
82FFS-NA125P34-GB	8	17-3/8	15-9/16	8-3/16	1-1/2	8	5/8-11 x 2-1/8	270
102FFS-NA125P34-GB	10	22	16	10-3/8	1-1/2	12	5/8-11 x 2-1/4	360
122FFS-NA125P34-GB	12	25	23-3/4	12-3/8	2	16	5/8-11 x 2-9/16	450

†See "Style BGFV Product Number Configuration" for additional options.
Face to face values tolerance in compliance with ASME B16.24.

STANDARD SCREENS SUPPLIED

SIZE	SCREEN PERFORATION			
	FOR LIQUID	OPEN AREA	FOR STEAM	OPEN AREA
in	in		in	
1-1/2 to 4	1/16	30%	3/64	33%
5 to 12	1/8	43%	1/16	30%

Standard screens supplied are for **liquid service**, unless otherwise specified.
Options: Other perforations, meshes, and screen materials are available.

KECKLEY

3400 CLEVELAND SKOKIE ILLINOIS

DRAWING NO.
AL 91050(NiAl)

DIMENSIONAL ASSEMBLY

PART NO.

Class 150 FF Flange Style BGFV

SCALE: NTS

Basket Strainer w/ 304 ss screen

DATE: 09/14/2022

MAT'L: Cast Nickel Aluminum Bronze

REQ. ---

DR. BY DSF