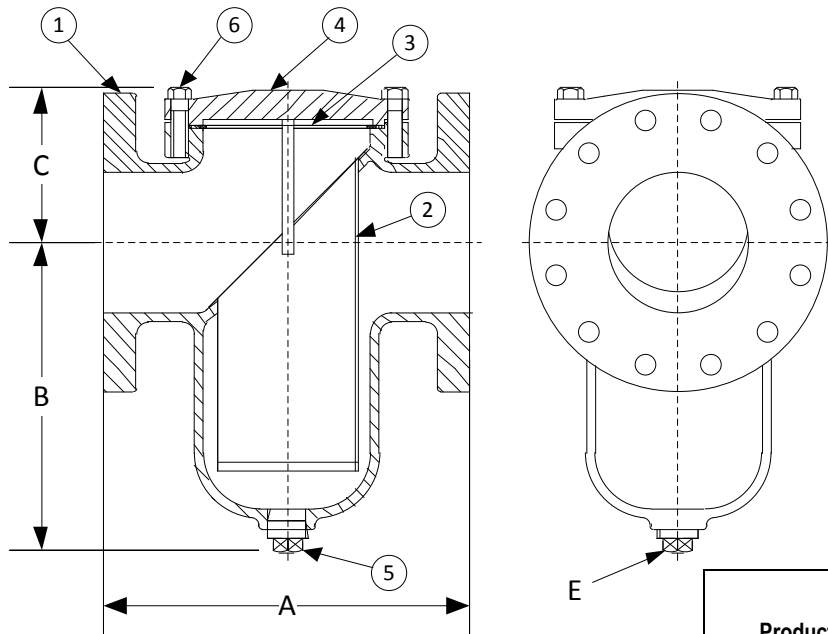


DRAWING NO.
AL 91050



BODY PRESSURE & TEMPERATURE RATINGS – NON SHOCK		
NOM. RATING	MEDIA	1-1/2" to 12"
150# (STANDARD FLANGE)	STEAM	150 PSI @ 406°F
	W.O.G.	225 PSI @ 150°F

PARTS LIST		
ITEM	DESCRIPTION	MATERIAL
1	BODY	CAST BRONZE (ASTM B 62, C83600)
2	BASKET	STAINLESS STEEL (304)
3	GASKET	SPIRAL WOUND STAINLESS STEEL (304) – GRAPHITE FILLED
4	COVER	CAST BRONZE (ASTM B 62, C83600)
5	PIPE PLUG	STAINLESS STEEL (316)
6	HEX HEAD CAP SCREW	STAINLESS STEEL (316)


Product Number†	SIZE	DIMENSIONS (in)				COVER		WEIGHT (lbs)
		A	B	C	E	No. of Bolts	Size of Bolts	
11/22FFS-B2062P34-GB	1-1/2	6-1/2	4-1/2	4	1/2	4	5/8-11 x 1-3/16	22
22FFS-B2062P34-GB	2	8-1/2	5-7/8	4-3/4	1/2	4	5/8-11 x 1-3/16	30
21/22FFS-B2062P34-GB	2-1/2	8	5-7/16	4-1/4	3/4	4	5/8-11 x 1-3/8	35
32FFS-B2062P34-GB	3	8-3/4	5-11/16	5-5/8	3/4	6	1/2-13 x 1-3/8	39
42FFS-B2125P34-GB	4	11-3/16	8-1/4	6-1/16	1	6	1/2-13 x 1-5/8	69
52FFS-B2125P34-GB	5	12-1/4	10-1/4	5-5/8	1	8	5/8-11 x 1-5/8	110
62FFS-B2125P34-GB	6	13-7/8	12-13/64	6-5/16	1-1/4	8	5/8-11 x 1-7/8	125
82FFS-B2125P34-GB	8	17-3/8	15-9/16	8-3/16	1-1/2	8	5/8-11 x 2-1/8	270
102FFS-B2125P34-GB	10	22	16	10-3/8	1-1/2	12	5/8-11 x 2-1/4	360
122FFS-B2125P34-GB	12	25	23-3/4	12-3/8	2	16	5/8-11 x 2-9/16	450

†See "Style BGFV Product Number Configuration" for additional options.

STANDARD SCREENS SUPPLIED

SIZE	SCREEN GAGE	SCREEN PERFORATION			
		FOR STEAM	OPEN AREA	FOR LIQUID	OPEN AREA
in		in		in	
1-1/2 to 3	22	3/64	33%	1/16	30%
4 to 12	22	1/16	30%	1/8	43%

Standard screens supplied are for liquid service, unless otherwise specified.
Options: Other meshes, perforations, and screen materials are available.

 3400 CLEVELAND SKOKIE ILLINOIS	DRAWING NO. AL 91050
	PART NO.
DIMENSIONAL ASSEMBLY	SCALE: NTS
150# Flange Style BGFV Cast Bronze	DATE: 07/01/2011
Basket Strainer w/ 304 ss screen	DR. BY DSF
MAT'L:	REQ. ---