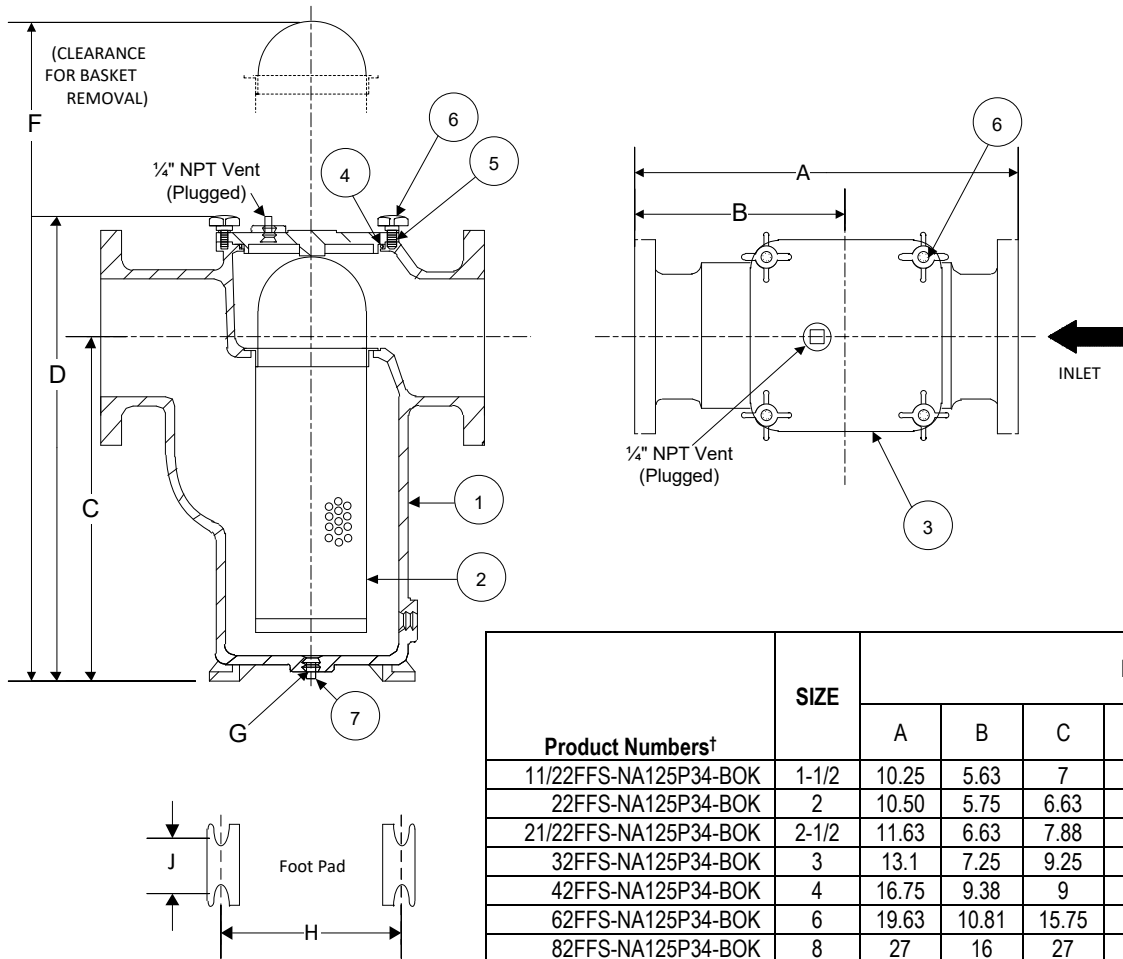


DRAWING NO.  
AL 91130



BODY PRESSURE & TEMPERATURE RATINGS – NON SHOCK		
NOM. RATING	MEDIA	1-1/2" to 8"
150# (STANDARD FLANGE)	W.O.G.	200 PSI @ 100°F

PARTS LIST		
ITEM	DESCRIPTION	MATERIAL
1	BODY	NICKEL ALUMINUM BRONZE (ASTM B 148, C95800)
2	BASKET	STAINLESS STEEL (304)
3	COVER	NICKEL ALUMINUM BRONZE (ASTM B 148, C95800)
4	O-RING	BUNA-N (MAX TEMPERATURE 150°F)
5	STUD	CARBON STEEL (ASTM A 193, GRADE B7)
6	KNOB	STEEL
7	BODY PLUG	BRASS

Product Numbers†	SIZE	DIMENSIONS (in)								COVER		WEIGHT (lbs)
		A	B	C	D	F	G	H	J	Number of Knobs	Size of Stud	
11/22FFS-NA125P34-BOK	1-1/2	10.25	5.63	7	11	16	1/4	5.5	2.50	4	1/2-13 x 2-3/16	17
22FFS-NA125P34-BOK	2	10.50	5.75	6.63	10.25	20	1/2	5.5	2.50	4	1/2-13 x 1-3/4	31
21/22FFS-NA125P34-BOK	2-1/2	11.63	6.63	7.88	11.88	23	3/8	6.5	2.88	4	5/8-11 x 2	47
32FFS-NA125P34-BOK	3	13.1	7.25	9.25	13.75	27	3/8	7	3.13	4	5/8-11 x 2	76
42FFS-NA125P34-BOK	4	16.75	9.38	9	14.75	29	1/2	10	3.88	4	5/8-11 x 2-1/2	125
62FFS-NA125P34-BOK	6	19.63	10.81	15.75	24	46	1/2	10	5	6	5/8-11 x 2-3/4	200
82FFS-NA125P34-BOK	8	27	16	27	36.187	61	1/2	15.75	8.5	8	5/8-11 x 2-7/8	285

†See "Style BKF7 Product Number Configuration" for additional options.  
Face to face values tolerance in compliance with ASME B16.24.

STANDARD SCREENS SUPPLIED

SIZE	SCREEN PERFORATION	
	FOR LIQUID	OPEN AREA
in	in	
1-1/2 to 8	1/8	43%

Standard screens supplied are for **liquid service**, unless otherwise specified.  
Options: Other meshes, perforations, and screen materials are available.

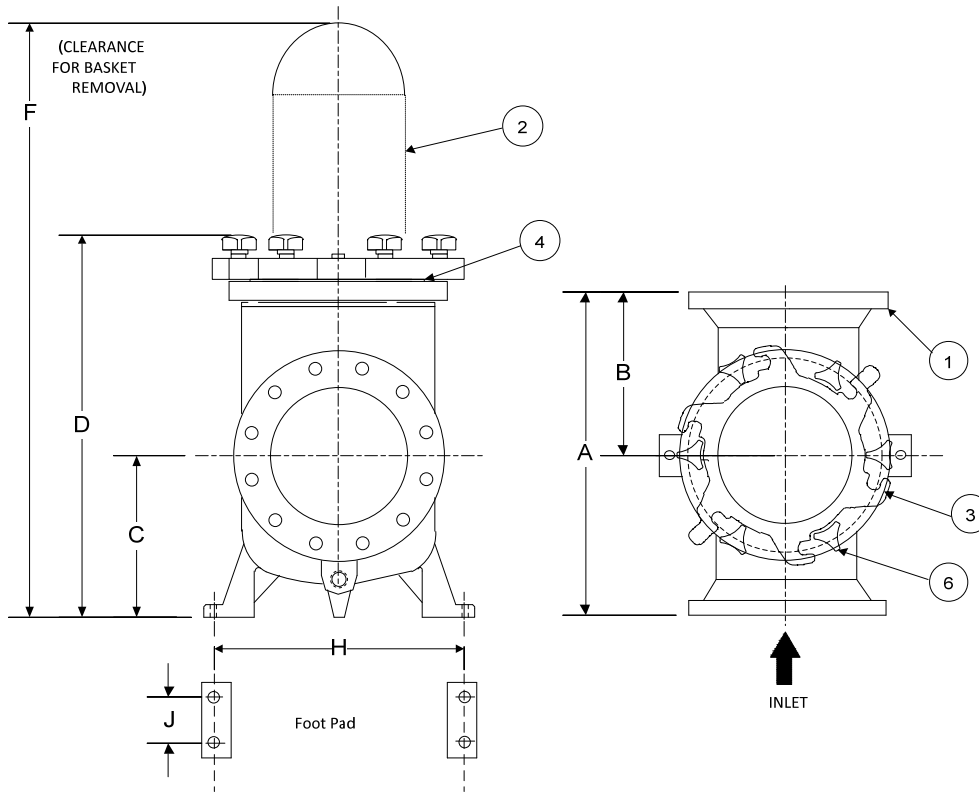
**KECKLEY**

3400 CLEVELAND SKOKIE ILLINOIS

DRAWING NO.  
AL 91130

DIMENSIONAL ASSEMBLY		PART NO.
150# Flg. Style BKF7 Nickel Aluminum Bronze		SCALE: NTS
Basket Strainer w/ 304 ss screen		DATE: 09/21/2020
MAT'L:	REQ. ---	DR. BY DSF

DRAWING NO.  
AL 91150



BODY PRESSURE & TEMPERATURE RATINGS – NON SHOCK		
NOM. RATING	MEDIA	1-1/2" to 8"
150# (STANDARD FLANGE)	W.O.G.	200 PSI @ 100°F

PARTS LIST		
ITEM	DESCRIPTION	MATERIAL
1	BODY	NICKEL ALUMINUM BRONZE (ASTM B 148, C95800)
2	BASKET	STAINLESS STEEL (304)
3	COVER	NICKEL ALUMINUM BRONZE (ASTM B 148, C95800)
4	O-RING	BUNA-N (MAX TEMPERATURE 150°F)
5	STUD	CARBON STEEL (ASTM A 193, GRADE B7)
6	KNOB	STEEL
7	BODY PLUG	BRASS

Product Numbers†	SIZE	DIMENSIONS (in)							COVER		WEIGHT (lbs)
		A	B	C	D	F	H	J	Number of Knobs	Size of Studs	
102FFS-NA125P34-BOK	10	23	11	12.19	25	47	19	1" NOMINAL, 1" THICK	6	1-8 x 3-3/16	420
122FFS-NA125P34-BOK	12	27.25	13.13	16.75	31	67	23	1" NOMINAL, 1" THICK	6	1-8 x 3-1/2	550

†See "Style BKF7 Product Number Configuration" for additional options.  
Face to face values tolerance in compliance with ASME B16.24.

STANDARD SCREENS SUPPLIED

SIZE	SCREEN PERFORATION	
	FOR LIQUID	OPEN AREA
in	in	
10 to 12	1/8	43%

Standard screens supplied are for **liquid service**, unless otherwise specified.  
Options: Other meshes, perforations, and screen materials are available.

**KECKLEY**

3400 CLEVELAND SKOKIE ILLINOIS

DRAWING NO.  
AL 91150

DIMENSIONAL ASSEMBLY		PART NO.
150# Flg. Style BKF-7 Nickel Aluminum Bronze		SCALE: NTS
Basket Strainer w/ 304 ss screen		DATE: 09/21/2020
MAT'L:	REQ. ---	DR. BY DSF