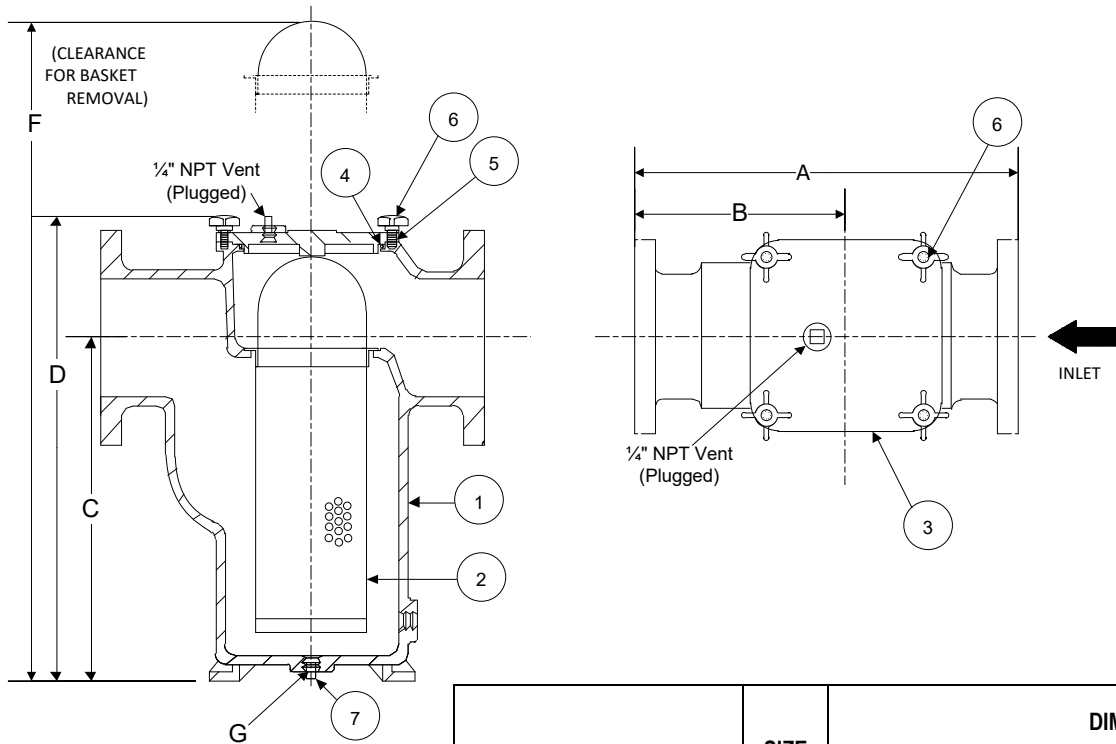
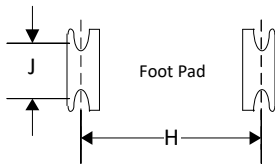


DRAWING NO.
AL 91140



BODY PRESSURE & TEMPERATURE RATINGS – NON SHOCK		
NOM. RATING	MEDIA	1-1/2" to 8"
CLASS 150	W.O.G.	275 PSI @ 100°F

PARTS LIST		
ITEM	DESCRIPTION	MATERIAL
1	BODY	NICKEL ALUMINUM BRONZE (ASTM B 148, C95800)
2	BASKET	STAINLESS STEEL (304)
3	COVER	NICKEL ALUMINUM BRONZE (ASTM B 148, C95800)
4	O-RING	BUNA-N (MAX TEMPERATURE 250°F)
5	STUD	CARBON STEEL (ASTM A 193, GRADE B7)
6	KNOB	STEEL
7	BODY PLUG	BRASS



Product Numbers†	SIZE	DIMENSIONS (in)								COVER		WEIGHT (lbs)
		A	B	C	D	F	G	H	J	Number of Knobs	Size of Studs	
11/22FFS-NA125P34-BOK	1-1/2	10.25	5.63	7	11	16	1/4	5.5	2.50	4	1/2-13 x 2-3/16	17
22FFS-NA125P34-BOK	2	10.50	5.75	6.63	10.25	20	1/2	5.5	2.50	4	1/2-13 x 1-3/4	31
21/22FFS-NA125P34-BOK	2-1/2	11.63	6.63	7.88	11.88	23	3/8	6.5	2.88	4	5/8-11 x 2	47
32FFS-NA125P34-BOK	3	13.1	7.25	9.25	13.75	27	3/8	7	3.13	4	5/8-11 x 2	76
42FFS-NA125P34-BOK	4	16.75	9.38	9	14.75	29	1/2	10	3.88	4	5/8-11 x 2-1/2	125
62FFS-NA125P34-BOK	6	19.63	10.81	15.75	24	46	1/2	10	5	6	5/8-11 x 2-3/4	200
82FFS-NA125P34-BOK	8	27	16	27	36.187	61	1/2	15.75	8.5	8	5/8-11 x 2-7/8	285

†See "Style BKF-7 Product Number Configuration" for additional options.
Face to face values tolerance in compliance with ASME B16.24.

STANDARD SCREENS SUPPLIED

SIZE	SCREEN PERFORATION	
	FOR LIQUID	OPEN AREA
in	in	
1-1/2 to 8	1/8	43%

Standard screens supplied are for liquid service, unless otherwise specified.
Options: Other meshes, perforations, and screen materials are available.

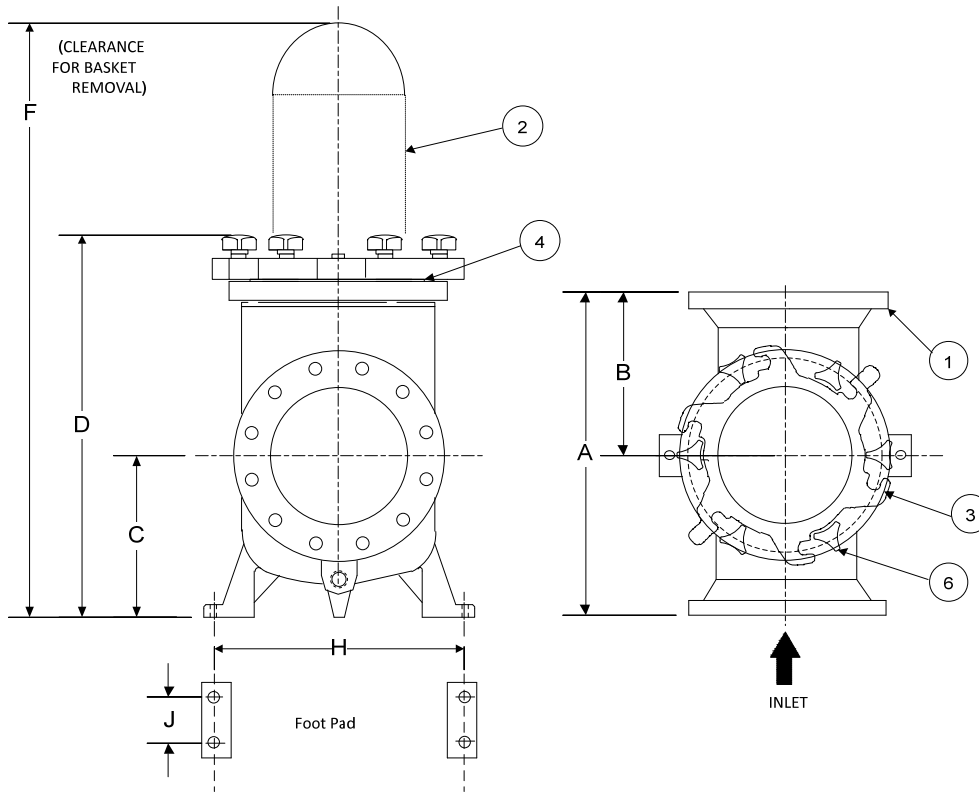
KECKLEY

3400 CLEVELAND SKOKIE ILLINOIS

DRAWING NO.
AL 91140

DIMENSIONAL ASSEMBLY		PART NO.
Class 150 FF Fig. Style BKF7 Nickel Aluminum		SCALE: NTS
Bronze Basket Strainer w/ 304 ss screen		DATE: 09/14/2022
MAT'L:	REQ. ---	DR. BY DSF

DRAWING NO.
AL 91155



BODY PRESSURE & TEMPERATURE RATINGS – NON SHOCK		
NOM. RATING	MEDIA	10" to 12"
CLASS 150	W.O.G.	275 PSI @ 100°F

PARTS LIST		
ITEM	DESCRIPTION	MATERIAL
1	BODY	NICKEL ALUMINUM BRONZE (ASTM B 148, C95800)
2	BASKET	STAINLESS STEEL (304)
3	COVER	NICKEL ALUMINUM BRONZE (ASTM B 148, C95800)
4	O-RING	BUNA-N (MAX TEMPERATURE 250°F)
5	STUD	ALLOY STEEL (ASTM A 193, GRADE B7)
6	KNOB	STEEL
7	BODY PLUG	BRASS


Product Numbers†	SIZE	DIMENSIONS (in)							COVER		WEIGHT (lbs)
		A	B	C	D	F	H	J	Number of Knobs	Size of Studs	
102FFS-NA125P34-BOK	10	23	11	12.19	25	47	19	1" NOMINAL, 1" THICK	6	1-8 x 3-3/16	420
122FFS-NA125P34-BOK	12	27.25	13.13	16.75	31	67	23	1" NOMINAL, 1" THICK	6	1-8 x 3-1/2	550

†See "Style BKF-7 Product Number Configuration" for additional options.
Face to face values tolerance in compliance with ASME B16.24.

STANDARD SCREENS SUPPLIED

SIZE	SCREEN PERFORATION	
	FOR LIQUID	OPEN AREA
in	in	
10 to 12	1/8	43%

Standard screens supplied are for liquid service, unless otherwise specified.
Options: Other meshes, perforations, and screen materials are available.

 3400 CLEVELAND SKOKIE ILLINOIS	DRAWING NO. AL 91155
	PART NO.
DIMENSIONAL ASSEMBLY	SCALE: NTS
Class 150 FF Flg. Style BKF7 Nickel Aluminum Bronze Basket Strainer w/ 304 ss screen	DATE: 09/14/2022
MAT'L: _____	REQ. --- DR. BY DSF