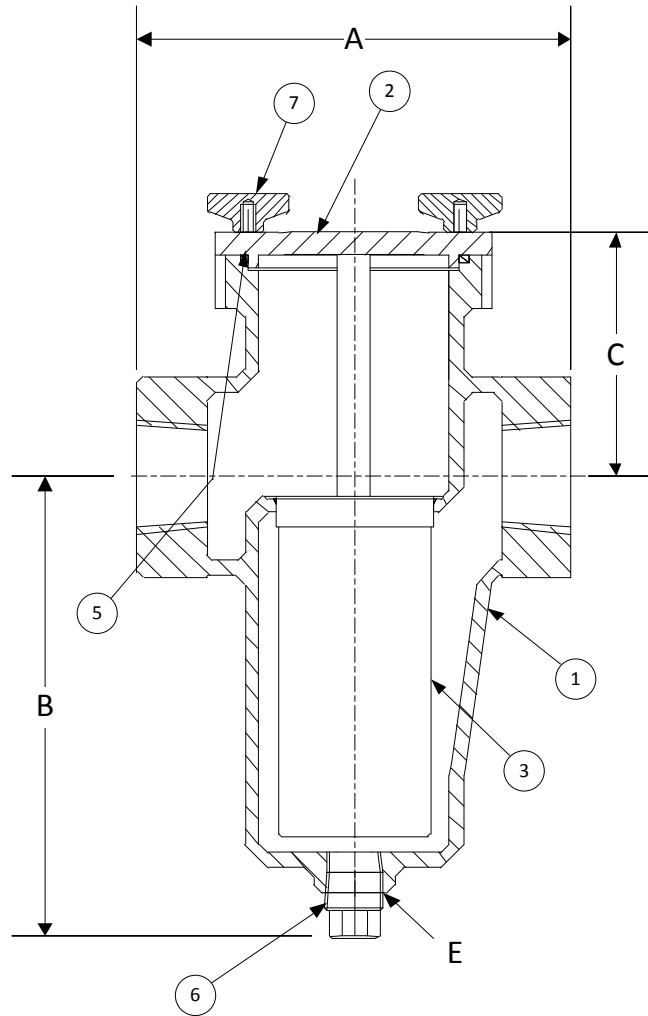


DRAWING NO.
AL 91350DP



BODY PRESSURE & TEMPERATURE RATINGS – NON SHOCK		
NOM. RATING	MEDIA	3/8" to 3"
150# (THREADED)	W.O.G.	200 PSI @ 356°F

PARTS LIST		
ITEM	DESCRIPTION	MATERIAL
1	BODY	DUPLEX (ASTM A 351, GRADE CD4MCu)
2	COVER	DUPLEX (ASTM A 351, GRADE CD4MCu)
3	BASKET	STAINLESS STEEL (304)
4	HEX HEAD CAP SCREW	STAINLESS STEEL
5	O-RING	VITON (MAX TEMPERATURE 350°F)
6	PLUG	STAINLESS STEEL (316)
7	KNOB	STAINLESS STEEL (ASTM A 351, GRADE CF8M)


Product Number†	SIZE	DIMENSIONS				COVER		WEIGHT
		A	B	C	E	No. of Bolts	Size of Studs	
3/82THS-DP062P34-VOK	3/8	4-9/16	4	3-1/8	3/8	2	3/8-16 x 2	6
1/22THS-DP062P34-VOK	1/2	4-9/16	4	3-1/8	3/8	2	3/8-16 x 2	6
3/42THS-DP062P34-VOK	3/4	4-9/16	4	3-1/8	3/8	2	3/8-16 x 2	6
12THS-DP062P34-VOK	1	5-5/16	4-7/8	3	3/8	2	3/8-16 x 2	9
11/42THS-DP062P34-VOK	1-1/4	6-5/16	6-1/2	4-1/8	1/2	2	3/8-16 x 2-1/2	14
11/22THS-DP062P34-VOK	1-1/2	6-5/16	6-1/2	4-1/8	1/2	2	3/8-16 x 2-1/2	14
22THS-DP062P34-VOK	2	8-1/4	7-7/8	4-3/4	3/4	2	1/2-13 x 2-1/2	27
21/22THS-DP062P34-VOK	2-1/2	9-5/8	8-3/4	4	1	2	1/2-13 x 2-7/8	34
32THS-DP062P34-VOK	3	11-1/4	11-3/8	5-7/8	1	2	5/8-11 x 3	60

†See "Style SSD-K Product Number Configuration" for additional options.

STANDARD SCREENS SUPPLIED

SIZE in	SCREEN GAGE	SCREEN PERFORATION			
		FOR STEAM in	OPEN AREA	FOR LIQUID in	OPEN AREA
3/8 to 2	28	1/32	29%	1/16	30%
2-1/2 to 3	26	3/64	33%	1/16	30%

Standard screens supplied are for liquid service, unless otherwise specified.
Options: Other meshes, perforations, and screen materials are available.

 3400 CLEVELAND SKOKIE ILLINOIS	DRAWING NO. AL 91350DP
	PART NO. 2THS-DP062P34-VOK
DIMENSIONAL ASSEMBLY	SCALE: NTS
150# Threaded Style SSD-DP-K	DATE: 07/01/2011
Basket Strainer w/ 304 ss screen	DR. BY DSF
MAT'L: Duplex	REQ. ---