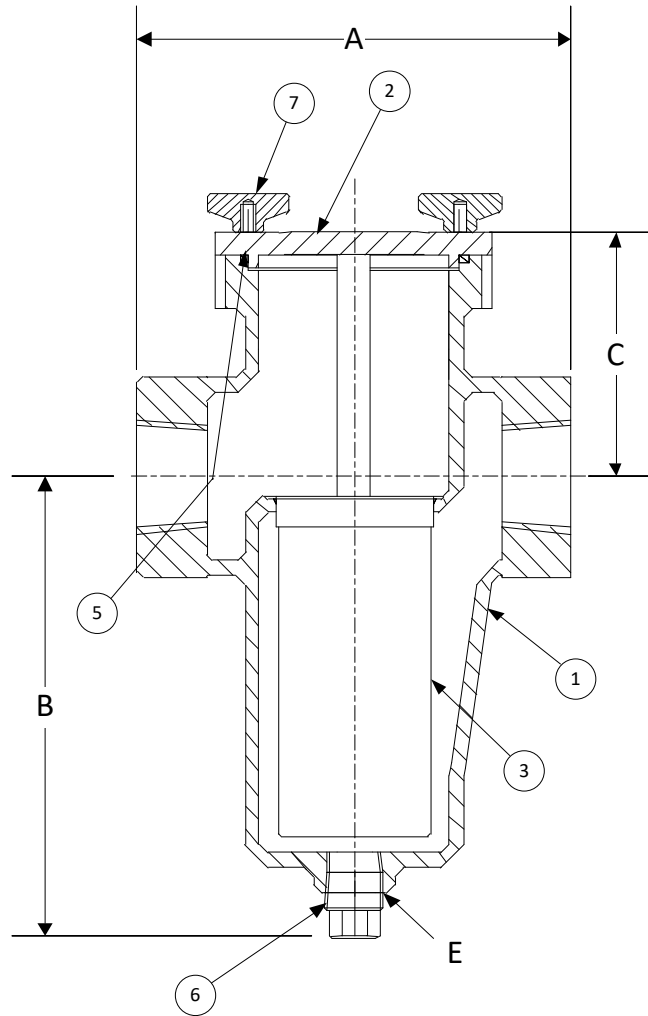


DRAWING NO.
AL 91340

BODY PRESSURE & TEMPERATURE RATINGS – NON SHOCK		
NOM. RATING	MEDIA	3/8" to 3"
150# (THREADED)	W.O.G.	200 PSI @ 356°F

PARTS LIST		
ITEM	DESCRIPTION	MATERIAL
1	BODY	CAST STAINLESS STEEL (ASTM A 351, GRADE CF8M)
2	COVER	CAST STAINLESS STEEL (ASTM A 351, GRADE CF8M)
3	BASKET	STAINLESS STEEL (304)
4	HEX HEAD CAP SCREW	STAINLESS STEEL
5	O-RING	VITON (MAX TEMPERATURE 350°F)
6	PLUG	STAINLESS STEEL (316)
7	KNOB	STAINLESS STEEL (ASTM A 351, GRADE CF8M)




Product Number†	SIZE	DIMENSIONS (in)				COVER		WEIGHT (lbs)
		A	B	C	E	No. of Knobs	Size of Studs	
3/82THS-36062P34-VOK	3/8	4-9/16	4	3-1/8	3/8	2	3/8-16 x 2	6
1/22THS-36062P34-VOK	1/2	4-9/16	4	3-1/8	3/8	2	3/8-16 x 2	6
3/42THS-36062P34-VOK	3/4	4-9/16	4	3-1/8	3/8	2	3/8-16 x 2	6
12THS-36062P34-VOK	1	5-5/16	4-7/8	3	3/8	2	3/8-16 x 2	9
11/42THS-36062P34-VOK	1-1/4	6-5/16	6-1/2	4-1/8	1/2	2	3/8-16 x 2-1/2	14
11/22THS-36062P34-VOK	1-1/2	6-5/16	6-1/2	4-1/8	1/2	2	3/8-16 x 2-1/2	14
22THS-36062P34-VOK	2	8-1/4	7-7/8	4-3/4	3/4	2	1/2-13 x 2-1/2	27
21/22THS-36062P34-VOK	2-1/2	9-5/8	8-3/4	4	1	2	1/2-13 x 2-7/8	34
32THS-36062P34-VOK	3	11-1/4	11-3/8	5-7/8	1	2	5/8-11 x 3	60

†See "Style SSDK Product Number Configuration" for additional options.
Face to face values tolerance in compliance with ASME B16.34.

STANDARD SCREENS SUPPLIED

SIZE	SCREEN PERFORATION			
	FOR LIQUID	OPEN AREA	FOR STEAM	OPEN AREA
in	in		in	
3/8 to 2	1/16	30%	1/32	29%
2-1/2 to 3	1/16	30%	3/64	33%

Standard screens supplied are for **liquid service**, unless otherwise specified.
Options: Other perforations, meshes, and screen materials are available.

 3400 CLEVELAND SKOKIE ILLINOIS	DRAWING NO. AL 91340
	PART NO.
DIMENSIONAL ASSEMBLY	SCALE: NTS
150# Threaded Style SSDK 316SS	DATE: 09/21/2020
Basket Strainer w/ 304 ss screen	DR. BY DSF
MAT'L:	REQ. ---