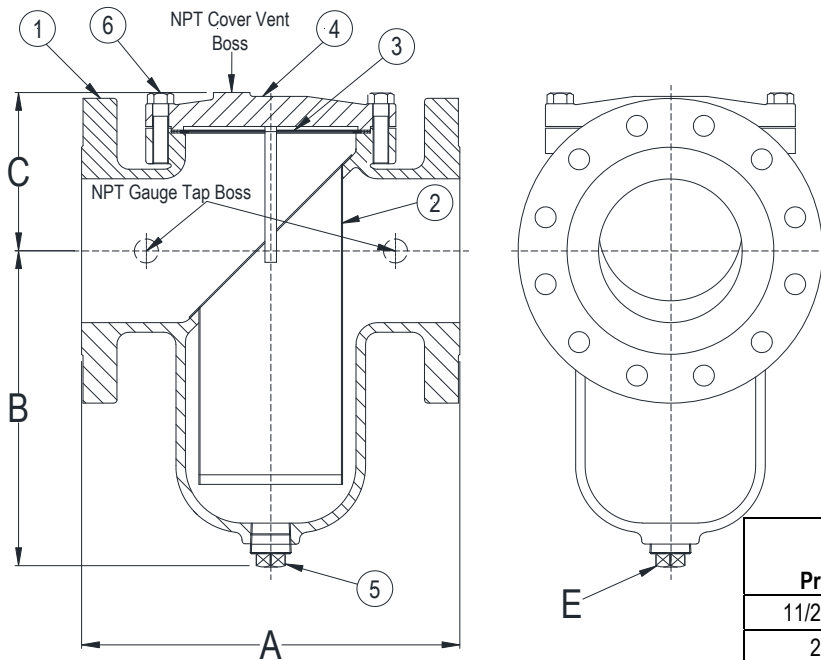


DRAWING NO.
AL 91360



BODY PRESSURE & TEMPERATURE RATINGS – NON SHOCK

NOM. RATING	MEDIA	1-1/2" to 14"
150# (STANDARD FLANGE)	STEAM	150 PSI @ 565°F
	W.O.G.	275 PSI @ 100°F

PARTS LIST

ITEM	DESCRIPTION	MATERIAL
1	BODY	CAST STAINLESS STEEL (ASTM A 351, GRADE CF8M)
2	BASKET	STAINLESS STEEL (304)
3	GASKET	SPIRAL WOUND STAINLESS STEEL (304) – GRAPHITE FILLED
4	COVER	CAST STAINLESS STEEL (ASTM A 351, GRADE CF8M)
5	PIPE PLUG	STAINLESS STEEL (316)
6	HEX HEAD CAP SCREW	STAINLESS STEEL (316)

Product Number†	SIZE	DIMENSIONS (in)				COVER		WEIGHT (lbs)
		A	B	C	E	No. of Bolts	Size of Bolts	
11/22RFS-36062P34-GB	1-1/2	6-1/2	4-1/2	4	1/2	4	5/8-11 x 1-5/8	22
22RFS-36062P34-GB	2	8-1/2	5-7/8	4-3/4	1/2	6	1/2-13 x 1-1/4	30
21/22RFS-36062P34-GB	2-1/2	8	5-7/16	4-1/4	3/4	4	5/8-11 x 1-1/2	35
32RFS-36062P34-GB	3	8-3/4	5-11/16	5-5/8	3/4	6	1/2-13 x 1-1/2	39
42RFS-36062P34-GB	4	11-3/16	8-1/4	6-1/16	1	6	1/2-13 x 1-3/4	69
52RFS-36125P34-GB	5	12-1/4	10-1/4	5-5/8	1	8	5/8-11 x 2	110
62RFS-36125P34-GB	6	13-7/8	12-13/64	6-5/16	1-1/4	8	5/8-11 x 2	125
82RFS-36125P34-GB	8	17-3/8	15-9/16	8-3/16	1-1/2	8	5/8-11 x 2-1/4	270
102RFS-36125P34-GB	10	22	16	10-3/8	1-1/2	12	5/8-11 x 2-3/4	360
122RFS-36125P34-GB	12	25	23-3/4	12-3/8	2	16	5/8-11 x 2-3/4	450
142RFS-36125P34-GB	14	34-5/16	28	16-1/2	2	12	7/8-9 x 3-3/4	1550

†See "Style SSGFV Product Number Configuration" for additional options.
Face to face values tolerance in compliance with ASME B16.5.

STANDARD SCREENS SUPPLIED

SIZE	SCREEN PERFORMANCE			
	FOR LIQUID	OPEN AREA	FOR STEAM	OPEN AREA
in	in		in	
1-12 to 4	1/16	30%	3/64	33%
5 to 14	1/8	43%	1/16	30%

Standard screens supplied are for liquid service, unless otherwise specified.
Options: Other perforations, meshes, and screen materials are available.



3400 CLEVELAND SKOKIE ILLINOIS

DRAWING NO.
AL 91360

DIMENSIONAL ASSEMBLY

PART NO.

150# Flange Style SSGFV 316SS

SCALE: NTS

Basket Strainer w/ 304 ss screen

DATE: 09/21/2020

MAT'L:

REQ. ---

DR. BY DSF