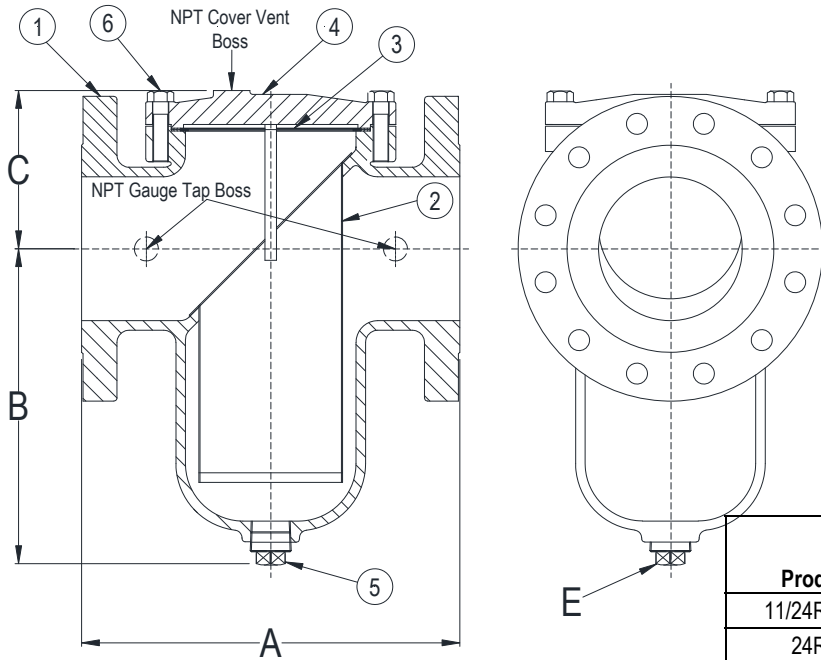


DRAWING NO.
AL 91400



BODY PRESSURE & TEMPERATURE RATINGS – NON SHOCK		
NOM. RATING	MEDIA	1-1/2" to 14"
300# (EX. HEAVY FLANGE)	STEAM	300 PSI @ 1125°F
	W.O.G.	720 PSI @ 100°F

PARTS LIST		
ITEM	DESCRIPTION	MATERIAL
1	BODY	CAST STAINLESS STEEL (ASTM A 351, GRADE CF8M)
2	BASKET	STAINLESS STEEL (304)
3	GASKET	SPIRAL WOUND STAINLESS STEEL (304) – GRAPHITE FILLED
4	COVER	CAST STAINLESS STEEL (ASTM A 351, GRADE CF8M)
5	PIPE PLUG	STAINLESS STEEL (316)
6	HEX HEAD CAP SCREW	STAINLESS STEEL (316)

Product Number†	SIZE	DIMENSIONS (in)				COVER		WEIGHT (lbs)
		A	B	C	E	No. of Bolts	Size of Bolts	
11/24RFS-36062P34-GB	1-1/2	7	4	3-3/4	1/2	4	5/8-11 x 1-1/2	24
24RFS-36062P34-GB	2	8-13/16	4-3/4	3-3/4	1	6	3/4-10 x 1-3/4	32
21/24RFS-36062P34-GB	2-1/2	9	5-5/8	4-5/8	1	4	3/4-10 x 2	42
34RFS-36062P34-GB	3	10-1/16	5-11/16	5-5/8	3/4	4	3/4-10 x 2-1/2	56
44RFS-36062P34-GB	4	12	8-1/4	6-1/16	1	4	1-8 x 2-1/2	88
54RFS-36125P34-GB	5	13-1/8	10-1/4	5-5/8	1	8	3/4-10 x 2-1/2	126
64RFS-36125P34-GB	6	15-9/16	12-13/64	6-5/16	1-1/4	8	3/4-10 x 2-1/2	150
84RFS-36125P34-GB	8	18-7/8	15-9/16	8-3/16	1-1/2	12	3/4-10 x 3-1/8	295
104RFS-36125P34-GB	10	21-5/16	14-3/8	9-7/8	2	16	3/4-10 x 3	420
124RFS-36125P34-GB	12	25-3/8	23-3/4	12-3/8	2	16	7/8-9 x 3-1/4	500
144RFS-36125P34-GB	14	34-5/16	34-3/8	20-3/16	2	20	7/8-9 x 4-1/2	1650

†See "Style SSGFV Product Number Configuration" for additional options.
Face to face values tolerance in compliance with ASME B16.5.

STANDARD SCREENS SUPPLIED

SIZE	SCREEN PERFORATION			
	FOR LIQUID	OPEN AREA	FOR STEAM	OPEN AREA
in	in		in	
1-12 to 4	1/16	30%	3/64	33%
5 to 14	1/8	43%	1/16	30%

Standard screens supplied are for liquid service, unless otherwise specified.
Options: Other perforations, meshes, and screen materials are available.

KECKLEY

3400 CLEVELAND SKOKIE ILLINOIS

DRAWING NO.
AL 91400

DIMENSIONAL ASSEMBLY

PART NO.

300# Flange Style SSGFV 316SS

SCALE: NTS

Basket Strainer w/ 304 ss screen

DATE: 09/21/2020

MAT'L:

REQ. ---

DR. BY DSF