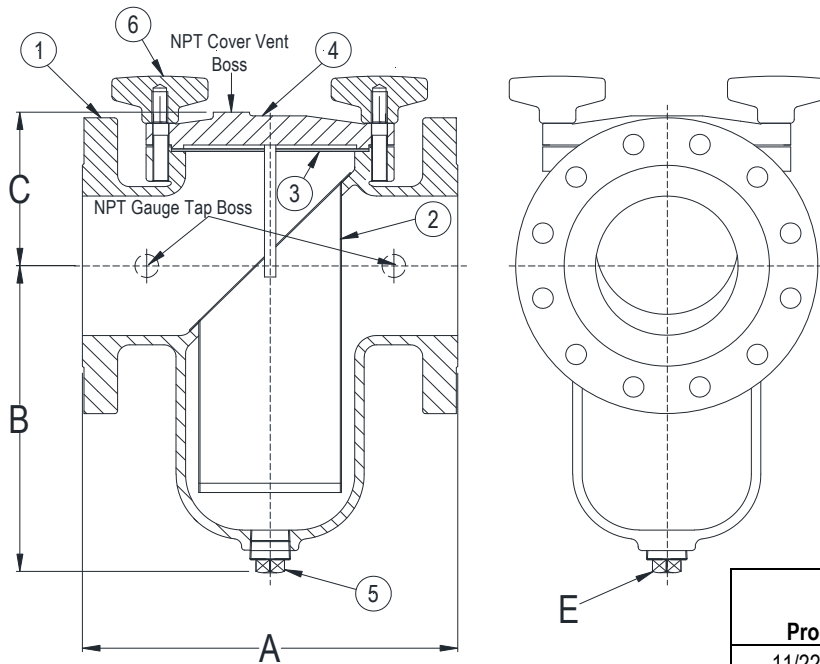


DRAWING NO.
AL 91440



BODY PRESSURE & TEMPERATURE RATINGS – NON SHOCK		
NOM. RATING	MEDIA	1-1/2" to 12"
150# (STANDARD FLANGE)	W.O.G.	200 PSI @ 375°F

PARTS LIST		
ITEM	DESCRIPTION	MATERIAL
1	BODY	CAST STAINLESS STEEL (ASTM A 351, GRADE CF8M)
2	BASKET	STAINLESS STEEL (304)
3	GASKET	VITON (MAX TEMPERATURE 400°F)
4	COVER	CAST STAINLESS STEEL (ASTM A 351, GRADE CF8M)
5	PIPE PLUG	STAINLESS STEEL (316)
6	KNOB	STAINLESS STEEL

Product Number†	SIZE	DIMENSIONS (in)				COVER		WEIGHT (lbs)
		A	B	C	E	No. of Knobs	Size of Studs	
11/22RFS-36062P34-BK	1-1/2	6-1/2	4-1/2	4	1/2	4		22
22RFS-36062P34-BK	2	8-1/2	5-7/8	4-3/4	1/2	6	1/2-13 x 2	30
21/22RFS-36062P34-BK	2-1/2	8	5-7/16	4-1/4	3/4	6	1/2-13 x 2	35
32RFS-36062P34-BK	3	8-3/4	5-11/16	5-5/8	3/4	6	1/2-13 x 2-1/2	39
42RFS-36062P34-BK	4	11-3/16	8-1/4	6-1/16	1	6	1/2-13 x 2-1/2	69
52RFS-36125P34-BK	5	12-1/4	10-1/4	5-5/8	1	8	5/8-11 x 2-1/2	110
62RFS-36125P34-BK	6	13-7/8	12-13/64	6-5/16	1-1/4	8	5/8-11 x 2-1/2	125
82RFS-36125P34-BK	8	17-3/8	15-9/16	8-3/16	1-1/2	8	5/8-11 x 3	270
102RFS-36125P34-BK	10	22	16	10-3/8	1-1/2	12	5/8-11 x 4	360
122RFS-36125P34-BK	12	25	23-3/4	12-3/8	2	16	5/8-11 x 4	450

†See "Style SSGFV-1K Product Number Configuration" for additional options.
Face to face values tolerance in compliance with ASME B16.5.

STANDARD SCREENS SUPPLIED

SIZE	SCREEN PERFORATION			
	FOR LIQUID	OPEN AREA	FOR STEAM	OPEN AREA
in	in		in	
1-12 to 4	1/16	30%	3/64	33%
5 to 12	1/8	43%	1/16	30%

Standard screens supplied are for liquid service, unless otherwise specified.
Options: Other perforations, meshes, and screen materials are available.

KECKLEY

3400 CLEVELAND SKOKIE ILLINOIS

DRAWING NO.
AL 91440

DIMENSIONAL ASSEMBLY

PART NO.

150# Flange Style SSGFVK 316SS

SCALE: NTS

Basket Strainer w/ 304 ss screen

DATE: 09/21/2020

MAT'L:

REQ. ---

DR. BY DSF