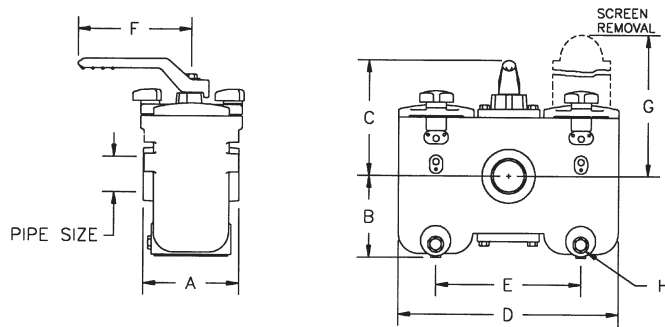
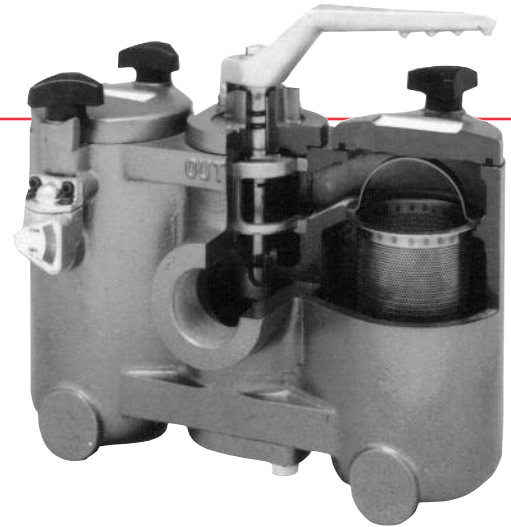


DUPLEX STRAINERS

Screwed

STYLE	BODY	DIVERTER
DPXS	CAST IRON	BRONZE
WDPXS	CAST IRON	IRON
CDPXS	CAST IRON	STAINLESS STEEL
BDPXS	CAST BRONZE	BRONZE
SDPXS	CAST CARBON STEEL	BRONZE
SCDPXS	CAST CARBON STEEL	STAINLESS STEEL
SSDPXS	CAST STAINLESS STEEL	STAINLESS STEEL



STANDARD SCREENS SUPPLIED

PIPE SIZE	SCREEN PERFORATION	OPEN AREA
¾" to 1½"	⅛"	30%
2", 2½"	⅙"	43%

Options: Other perforations, meshes, and screen materials are available.

APPLICATIONS

Duplex strainers are used in continuous flow applications where the process can not be shut down for cleaning. Examples: lubrication systems, industrial or marine oil burners, chemical plants, cooling lines in power plants, compressors, condensers, and ink supply lines to printing presses. Duplex strainers are also specified for water lines to cooling towers and pumping stations where water is taken from lakes or rivers.

WORKING PRESSURE—NON SHOCK

Not recommended for steam service

STYLE DPXS, WDPXS
WATER, OIL, GAS...200 PSI-150°F
BODY AND COVERS: ASTM A 126, CLASS B

STYLE CDPXS
WATER, OIL, GAS...200 PSI-120°F
BODY AND COVERS: ASTM A 126, CLASS B

STYLE BDPXS
WATER, OIL, GAS...225 PSI-150°F
BODY AND COVERS: ASTM B62

STYLE SDPXS, SCDPXS
WATER, OIL, GAS...285 PSI-100°F
BODY AND COVERS: ASTM A 216, GRADE WCB

STYLE SSDPXS
WATER, OIL, GAS...275 PSI-100°F
BODY AND COVERS: Type 316 A 351, GRADE CF8M

DIMENSIONS & SHIPPING WEIGHTS (APPROXIMATE)

PIPE SIZE	A	B	C	D	E	F	G	H	WEIGHT LBS.	
									IRON BODY	OTHERS
¾"	4¾"	4¾"	5¾"	10"	6⅛"	6"	8⅛"	½"	29	35
1"	4¾"	4¾"	5¾"	10"	6⅛"	6"	8⅛"	½"	29	35
1¼"	5¾"	5¾"	6¾"	11⅛"	7¼"	6"	12"	½"	42	51
1½"	5¾"	5¾"	6¾"	11⅛"	7¼"	6"	12"	½"	42	51
2"	7¼"	6¾"	8¾"	16¾"	11"	8¼"	13⅜"	½"	108	132
2½"	7¼"	6¾"	8¾"	16¾"	11"	8¼"	13⅜"	½"	108	132

Certified Dimensional Sheets Available.