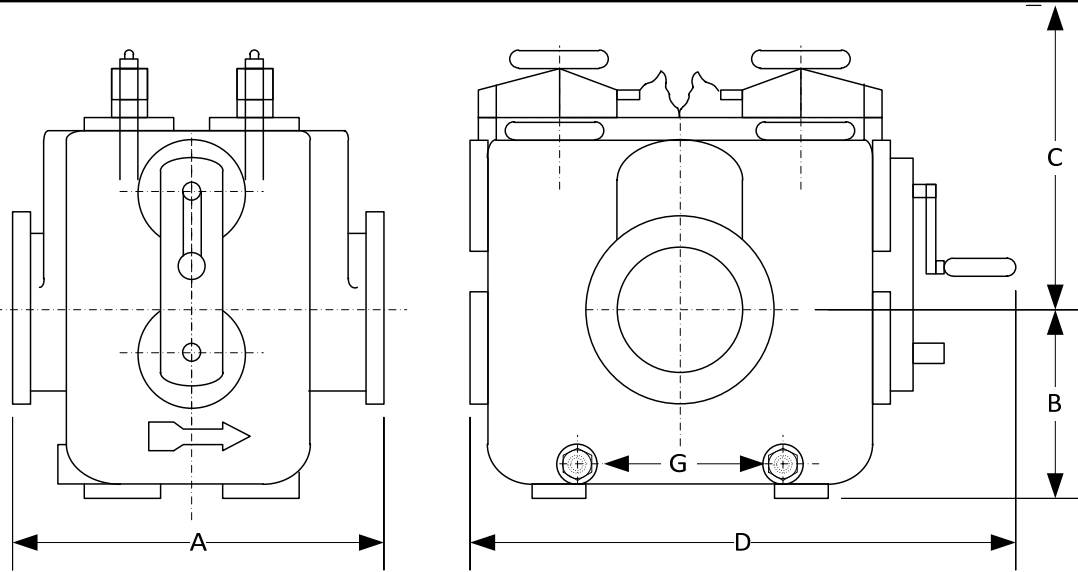
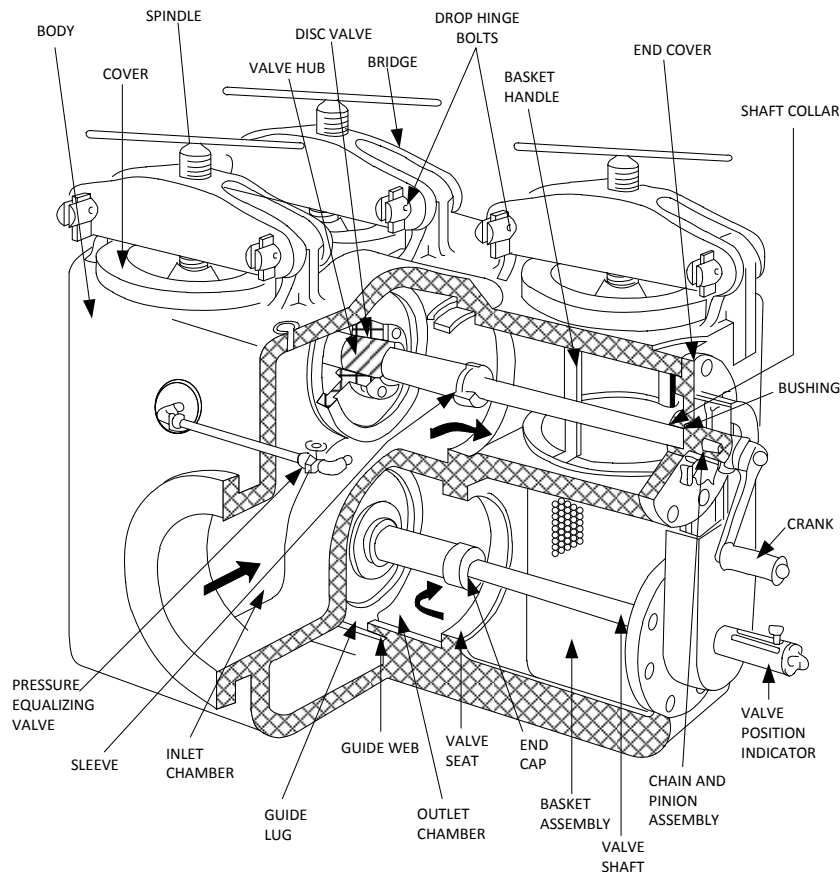



DRAWING NO.
AL 73215



BODY PRESSURE & TEMPERATURE RATINGS - NON SHOCK		
NOM. RATING	MEDIA	10" to 20"
125# (STANDARD FLANGE)	W.O.G.	150 PSI @ 100°F

SIZE	DIMENSIONS (in)					Basket Area	WEIGHT (lbs)
	A	B	C	D	G BSPT	in ²	
10	40.35	14.02	44.02	59.25	1-1/2"	1160	2987
12	40.51	15.00	44.02	59.25	1-1/2"	1160	3078
16	49.61	22.00	65.98	68.27	1-1/2"	2000	5260
18	50	23.00	65.00	68.27	1-1/2"	2000	5380
20	50	24.02	65.00	68.27	1-1/2"	2000	5415



 3400 CLEVELAND SKOKIE ILLINOIS	DRAWING NO. AL 73215
	PART NO.
DIMENSIONAL ASSEMBLY	SCALE: NTS
125# Flange Style DPXF, Cast Iron	DATE: 01/29/2014
Duplex Basket Strainer w/ 304 ss screen	DR. BY DSF
MAT'L: (As Noted Above)	REQ. ---