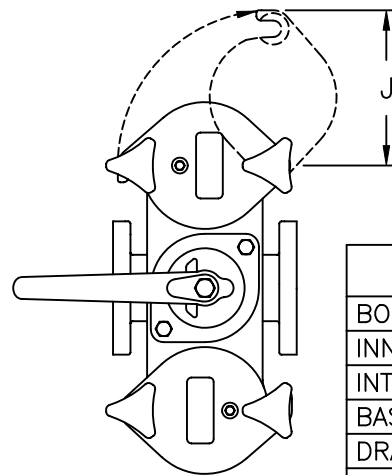
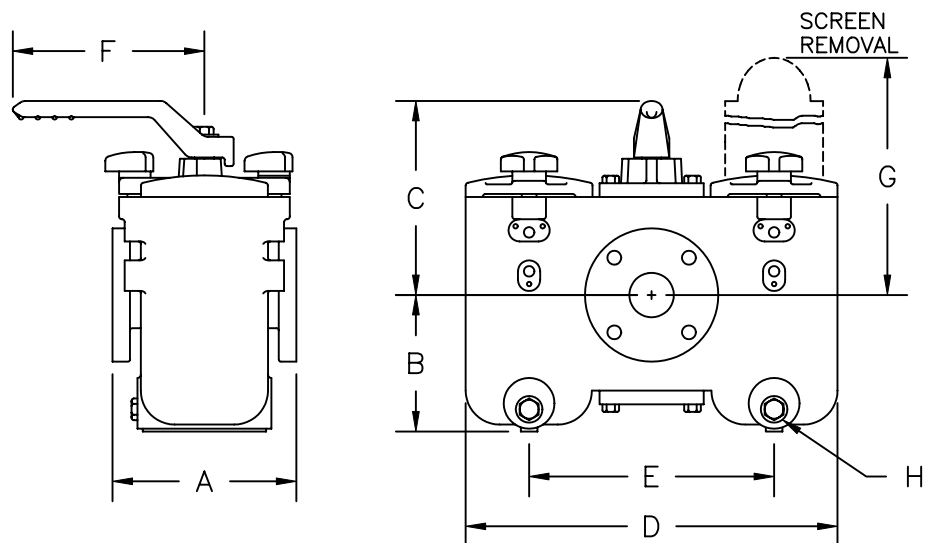


DRAWING NO.
73144-AL

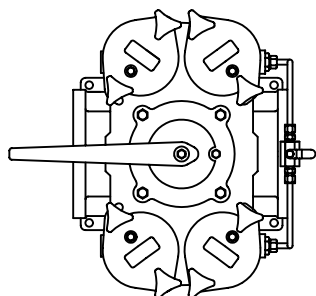


PARTS LIST	
BODY	BRONZE
INNER VALVES	BRONZE
INTERNAL MACHINE PARTS	PHOS. BRONZE
BASKETS	STAINLESS STEEL
DRAIN PLUGS	PHOS. BRONZE
O-RINGS	NITRILE
MAX. WORKING PRESSURE - 225PSI AT 150°F	

PIPE SIZE	A	B	C	D	E	F	G	H	J	WEIGHTS
1"	6	4-1/8	5-7/8	10-5/8	6-11/16	6-7/8	8-11/16	1/2	4-7/8	42
1-1/2"	6-7/8	5-3/4	6-7/8	11-3/16	7-1/4	6-7/8	12	1/2	4-7/8	62
2"	8-1/4	6-1/8	8-3/4	16-3/4	11	8-1/4	13-13/16	1/2	7	139
2-1/2"	8-1/4	6-1/8	8-3/4	16-3/4	11	8-1/4	13-13/16	1/2	7	141
3"	10-1/2	8-1/4	10-1/16	19-1/4	13	9-7/8	17-3/4	1/2	7-3/4	225
4"	12-1/2	10-7/16	11-9/16	21-1/4	15	9-7/8	22-5/8	1/2	7-3/4	298
5**	18-5/8	10-9/16	13	23-1/2	16	15	22-5/8	1/2	7-3/4	640
6**	18-5/8	10-9/16	13	23-1/2	16	15	22-5/8	1/2	7-3/4	650
8"	22	20-1/2	21-11/16	40-1/8	27-9/16	19-11/16	47-5/8	1/2	BOLTED COVER	1985

** 5" & 6" DUPLEX STRAINER HAVE
(2) BASKETS PER CHAMBER FOR
A TOTAL OF (4) BASKETS

5", 6" & 8" SIZES HAVE STANDARD
MOUNTING PADS AND PRESSURE
EQUALIZING VALVES.



KECKLEY

3400 CLEVELAND SKOKIE ILLINOIS

STYLE BDPXF DUPLEX STRAINER

150# FLANGED CONNECTIONS

MAT'L: AS NOTED

REQ. —

DRAWING NO.
73144-AL

PART NO.

SCALE: NTS

DATE: 8/14/96

DR. BY REW