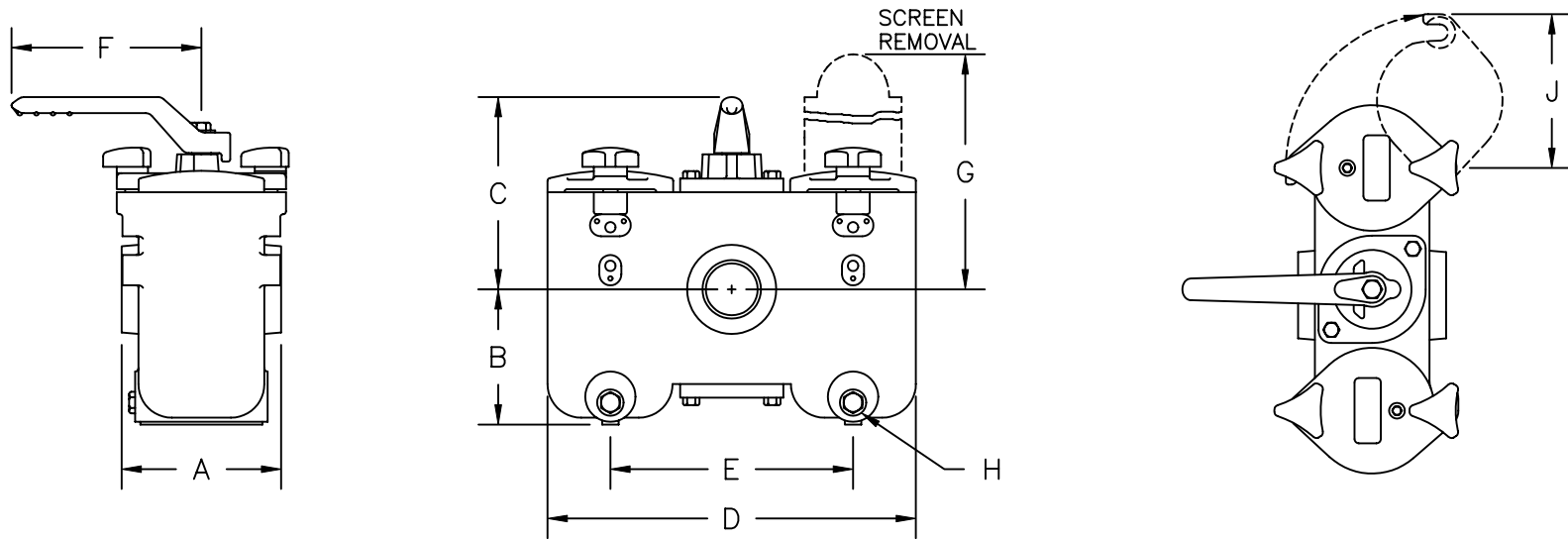


DRAWING NO.
73145-AL



PIPE SIZE	A	B	C	D	E	F	G	H	J	WEIGHTS
3/4"	4-3/4	4-1/8	5-7/8	10-5/8	6-11/16	6-7/8	8-11/16	1/2	4-7/8	35
1"	4-3/4	4-1/8	5-7/8	10-5/8	6-11/16	6-7/8	8-11/16	1/2	4-7/8	35
1-1/4"	5-3/8	5-3/4	6-7/8	11-3/16	7-1/4	6-7/8	12	1/2	4-7/8	51
1-1/2"	5-3/8	5-3/4	6-7/8	11-3/16	7-1/4	6-7/8	12	1/2	4-7/8	51
2"	7-1/4	6-1/8	8-3/4	16-3/4	11	8-1/4	13-13/16	1/2	7	132
2-1/2"	7-1/4	6-1/8	8-3/4	16-3/4	11	8-1/4	13-13/16	1/2	7	132

PARTS LIST	
BODY	BRONZE
INNER VALVES	BRONZE
INTERNAL MACHINE PARTS	PHOS. BRONZE
BASKETS	STAINLESS STEEL
DRAIN PLUGS	PHOS. BRONZE
O-RINGS	NITRILE
MAX. WORKING PRESSURE - 225PSI AT 150°F	



3400 CLEVELAND SKOKIE ILLINOIS

STYLE BDPXS DUPLEX STRAINER

SCREWED (NPT) CONNECTIONS

MAT'L: AS NOTED

REQ. —

DRAWING NO.
73145-AL

PART NO.

SCALE: NTS

DATE: 8/14/96

DR. BY REW