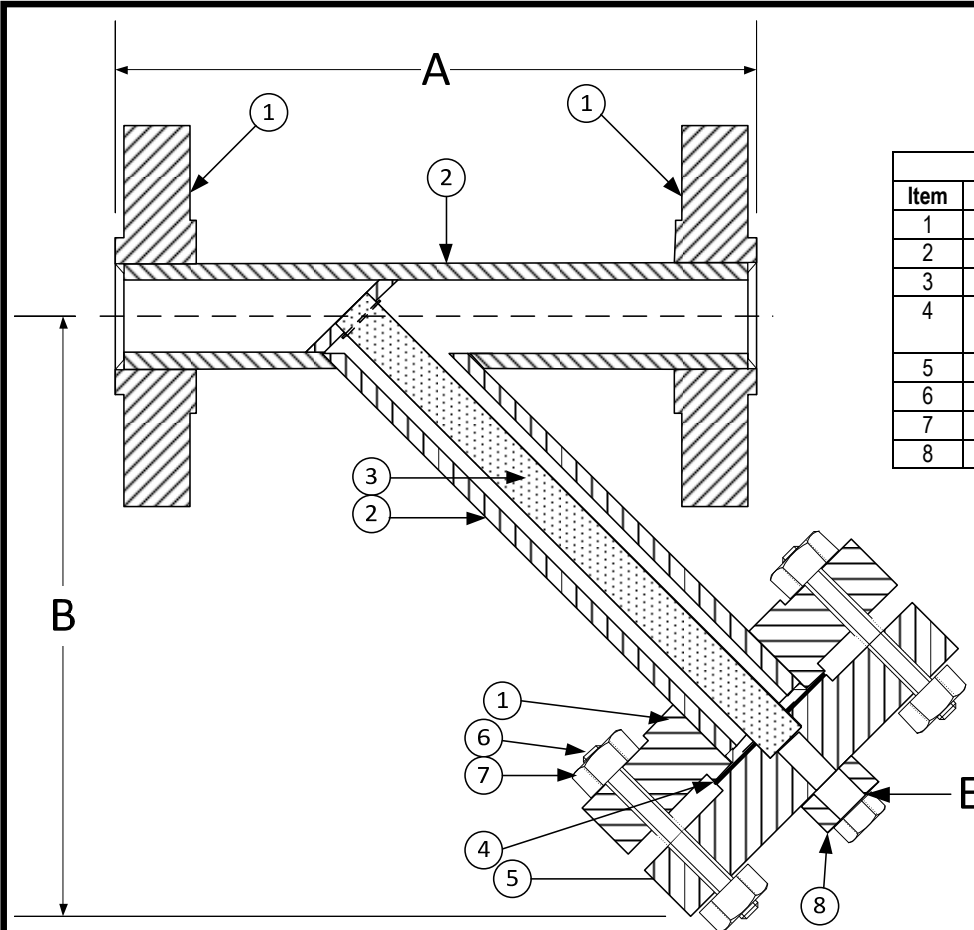


DRAWING NO.



PARTS LIST		
Item	Description	Material
1	1500LB RFSO FLANGE	STAINLESS STEEL (ASTM A 182, GRADE F-304) B16.5
2	BODY	STAINLESS STEEL (ASTM A 312, GRADE TP-304)
3	SCREEN	STAINLESS STEEL (304) – 1/8" PERFORATION
4	GASKET	SPIRAL WOUND STAINLESS STEEL (304) – WITH GRAPHITE FILLER
5	1500LB BLIND FLANGE (COVER)	STAINLESS STEEL (ASTM A 182, GRADE F-304)
6	STUDS	STAINLESS STEEL (ASTM A 193, GRADE B8)
7	NUTS	STAINLESS STEEL (ASTM A 194, GRADE 8)
8	DRAIN – 6000# NPT HALF COUPLING W/ PLUG	STAINLESS STEEL (ASTM A 182, GRADE F-304)

Product Numbers†	SIZE	DIMENSIONS (in)			SCREEN REMOVAL (in)
		A	B	E	
27RFFY-F34125P34-GBB	2	15-1/4	14	1	20-1/4
21/27RFFY-F34125P34-GBB	2-1/2	17	15	1	21
37RFFY-F34125P34-GBB	3	20-1/4	17	1	24-1/2
47RFFY-F34125P34-GBB	4	22	20	1	28
57RFFY-F34125P34-GBB	5	26	24	1	34
67RFFY-F34125P34-GBB	6	28	26	1	37
87RFFY-F34125P34-GBB	8	34	32	1-1/2	45
107RFFY-F34125P34-GBB	10	40	34	1-1/2	48
127RFFY-F34125P34-GBB	12	44	36	1-1/2	50
147RFFY-F34125P34-GBB	14	50	38	2	53
167RFFY-F34125P34-GBB	16	55	41	2	58
187RFFY-F34125P34-GBB	18	60	45	2	63
207RFFY-F34125P34-GBB	20	65	50	2	70
247RFFY-F34125P34-GBB	24	75	55	2	77

†See "Style FSSA Product Number Configuration" for additional options.

BODY PRESSURE & TEMPERATURE RATINGS – NON SHOCK

NOM. RATING	2" to 24"
1500# RFSO	3600 PSI @ 100°F

DRAWING NO.

3400 CLEVELAND SKOKIE ILLINOIS

DIMENSIONAL ASSEMBLY

PART NO.

1500lb. Flg. Style FSA

SCALE: NTS

Fabricated 304 SS Y-Strainer

DATE: 05/29/2012

MAT'L: Fabricated 304 SS

REQ. ---

DR. BY DSF