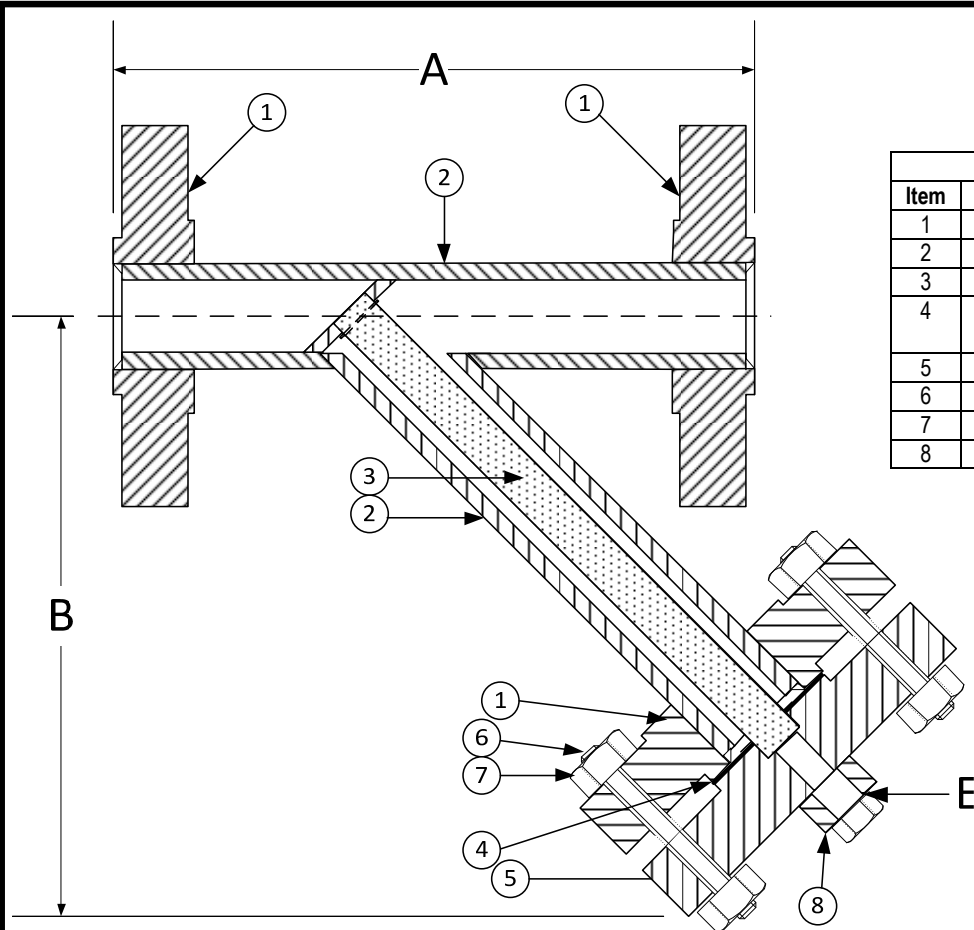


DRAWING NO.




PARTS LIST		
Item	Description	Material
1	1500LB RFSO FLANGE	STAINLESS STEEL (ASTM A 182, GRADE F-316) B16.5
2	BODY	STAINLESS STEEL (ASTM A 312, GRADE TP-316)
3	SCREEN	STAINLESS STEEL (304) – 1/8" PERFORATION
4	GASKET	SPIRAL WOUND STAINLESS STEEL (304) – WITH GRAPHITE FILLER
5	1500LB BLIND FLANGE (COVER)	STAINLESS STEEL (ASTM A 182, GRADE F-316)
6	STUDS	STAINLESS STEEL (ASTM A 193, GRADE B8)
7	NUTS	STAINLESS STEEL (ASTM A 194, GRADE 8)
8	DRAIN – 6000# NPT HALF COUPLING W/ PLUG	STAINLESS STEEL (ASTM A 182, GRADE F-316)

Product Numbers†	SIZE	DIMENSIONS (in)			SCREEN REMOVAL (in)
		A	B	E	
27RFFY-F36125P34-GBB	2	15-1/4	14	1	20-1/4
21/27RFFY-F36125P34-GBB	2-1/2	17	15	1	21
37RFFY-F36125P34-GBB	3	20-1/4	17	1	24-1/2
47RFFY-F36125P34-GBB	4	22	20	1	28
57RFFY-F36125P34-GBB	5	26	24	1	34
67RFFY-F36125P34-GBB	6	28	26	1	37
87RFFY-F36125P34-GBB	8	34	32	1-1/2	45
107RFFY-F36125P34-GBB	10	40	34	1-1/2	48
127RFFY-F36125P34-GBB	12	44	36	1-1/2	50
147RFFY-F36125P34-GBB	14	50	38	2	53
167RFFY-F36125P34-GBB	16	55	41	2	58
187RFFY-F36125P34-GBB	18	60	45	2	63
207RFFY-F36125P34-GBB	20	65	50	2	70
247RFFY-F36125P34-GBB	24	75	55	2	77

†See "Style FSA Product Number Configuration" for additional options.

BODY PRESSURE & TEMPERATURE RATINGS – NON SHOCK	
NOM. RATING	2" to 24"
1500# RFSO	3600 PSI @ 100°F

 3400 CLEVELAND SKOKIE ILLINOIS		DRAWING NO.
		PART NO.
DIMENSIONAL ASSEMBLY		SCALE: NTS
1500lb. Flg. Style FSA		DATE: 05/29/2012
Fabricated 316 SS Y-Strainer		DR. BY DSF
MAT'L: Fabricated 316 SS	REQ. ---	