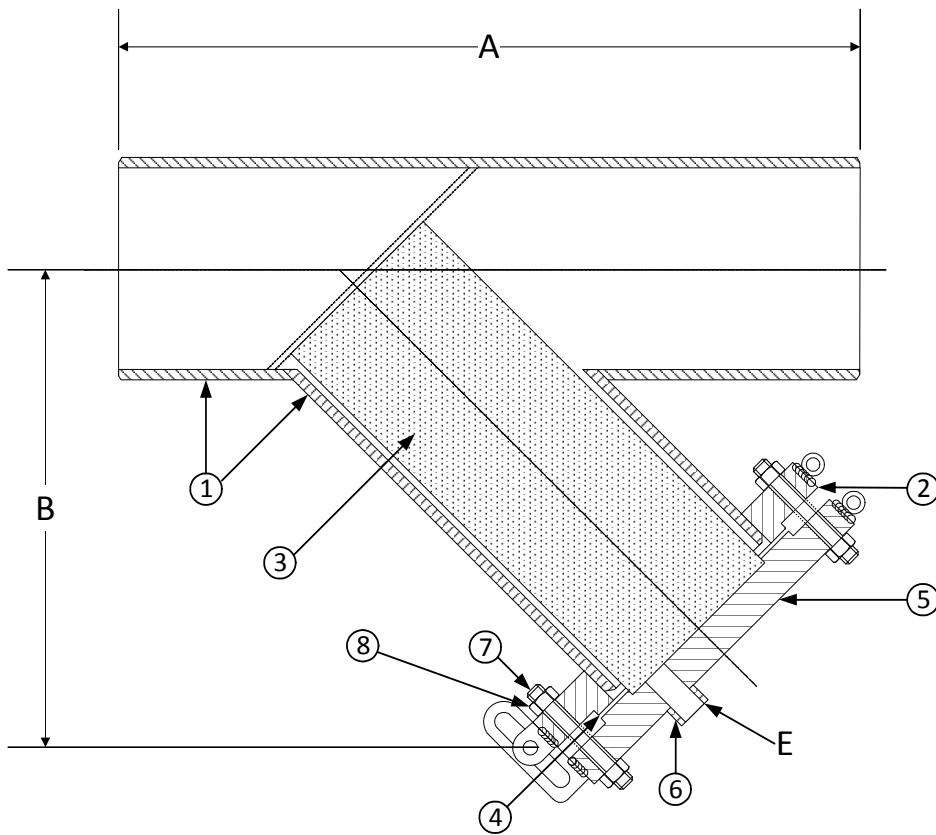


DRAWING NO.
AL 92020




PARTS LIST		
Item	Description	Material
1	Pipe	Carbon Steel Pipe (ASTM A 53)
2*	150lb RFSO Flange	Carbon Steel (ASTM A 105) B16.5
3	Screen	Stainless Steel (304) – 1/8" perf.
4	Gasket	Fiber
5	150lb Blind Flange (Cover)	Carbon Steel (ASTM A 105)
6	3000# NPT Half Coupling	Carbon Steel (ASTM A 105)
7	Studs	Carbon Steel (ASTM A 193, Grade B7)
8	Nut	Carbon Steel (ASTM A 194, Grade 2H)

*30" Flanges are RFWN Series B.

BODY PRESSURE & TEMPERATURE RATINGS – NON SHOCK	
NOM. RATING	4" to 30"
150# Butt Weld	285 PSI @ 100°F

Product Numbers†	SIZE	DIMENSIONS (in)			WEIGHT (lbs)	
		A	B	E	Cover	Total
42B4FY-FCS125P34-FHB	4	16	12	1	13	100
52B4FY-FCS125P34-FHB	5	19	14	1	15	130
62B4FY-FCS125P34-FHB	6	22	16	1	19	175
82B4FY-FCS125P34-FHB	8	26	19	1-1/2	30	280
102B4FY-FCS125P34-FHB	10	30	24	1-1/2	43	390
122B4FY-FCS125P34-FHB	12	35	26	1-1/2	64	560
142B4FY-FCS125P34-FHB	14	39	30	2	90	800
162B4FY-FCS125P34-FHB	16	45	34	2	106	1000
182B4FY-FCS125P34-FHB	18	46	34	2	130	1150
202B4FY-FCS125P34-FHB	20	52	38	2	165	1400
242B4FY-FCS125P34-FHB	24	60	44	2	220	2000
302B4FY-FCS125P34-FHB	30	72	50	2	150	3000

†See "Style FSA Product Number Configuration" for additional options.

 3400 CLEVELAND SKOKIE ILLINOIS	DRAWING NO. AL 92020
	PART NO.
DIMENSIONAL ASSEMBLY	SCALE: NTS
150lb. Schd 40 Butt Weld Style FSA	DATE: 07/01/2011
Fabricated Carbon Steel Y-Strainer	DR. BY DSF
MAT'L: Fabricated Carbon Steel	REQ. ---