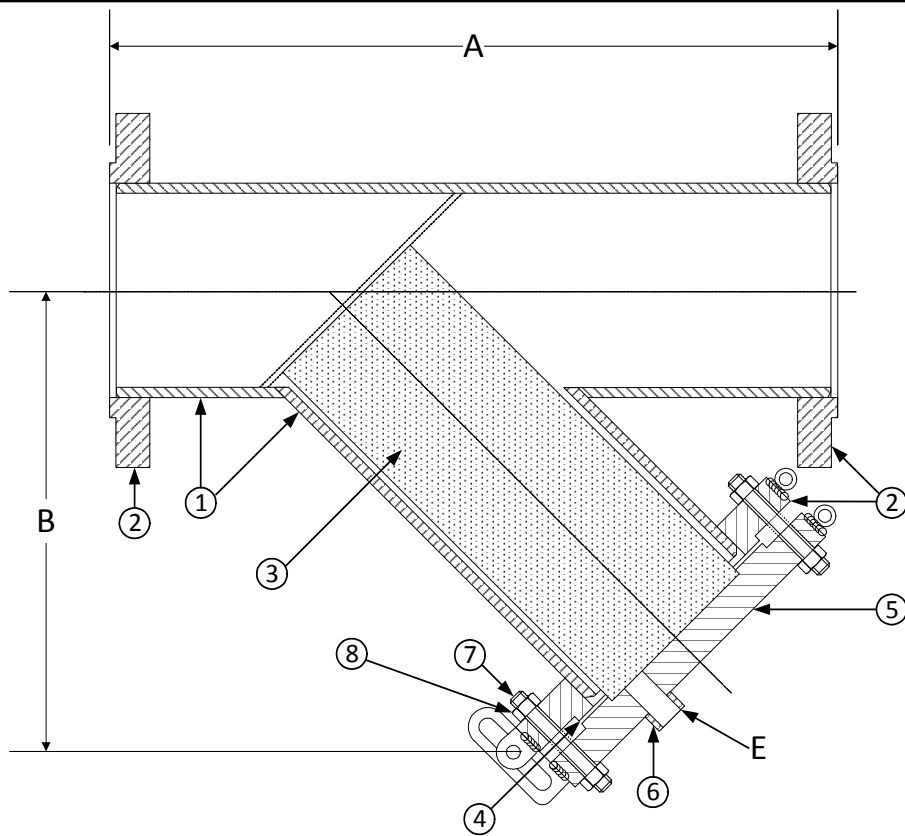


DRAWING NO.  
AL 92040




PARTS LIST		
Item	Description	Material
1	Pipe	Carbon Steel Pipe (ASTM A 53)
2*	300lb RFSO Flange	Carbon Steel (ASTM A 105) B16.5
3	Screen	Stainless Steel (304) – 1/8" perf.
4	Gasket	Fiber
5	300lb Blind Flange (Cover)	Carbon Steel (ASTM A 105)
6	3000# NPT Half Coupling	Carbon Steel (ASTM A 105)
7	Studs	Carbon Steel (ASTM A 193, Grade B7)
8	Nuts	Carbon Steel (ASTM A 194, Grade 2H)

\*30" Flanges are RFWN Series B.

BODY PRESSURE & TEMPERATURE RATINGS – NON SHOCK	
NOM. RATING	4" to 30"
300# R.F. & D. (EX. HEAVY FLANGE)	740 PSI @ 100°F

Product Numbers†	SIZE	DIMENSIONS (in)			WEIGHT (lbs)	
		A	B	E	Cover	Total
44RFFY-FCS125P34-FHB	4	18	13	1	24	140
54RFFY-FCS125P34-FHB	5	21	15	1	31	200
64RFFY-FCS125P34-FHB	6	24	19	1	39	265
84RFFY-FCS125P34-FHB	8	28	22	1-1/2	58	410
104RFFY-FCS125P34-FHB	10	31	24	1-1/2	81	600
124RFFY-FCS125P34-FHB	12	36	27	1-1/2	115	840
144RFFY-FCS125P34-FHB	14	41	32	2	165	1100
164RFFY-FCS125P34-FHB	16	47	36	2	220	1500
184RFFY-FCS125P34-FHB	18	50	36	2	280	1775
204RFFY-FCS125P34-FHB	20	55	40	2	325	2100
244RFFY-FCS125P34-FHB	24	62	46	2	490	3100
304RFFY-FCS125P34-FHB	30	74	53	2	550	5150

†See "Style FSA Product Number Configuration" for additional options.

 3400 CLEVELAND SKOKIE ILLINOIS	DRAWING NO. AL 92040
	PART NO.
DIMENSIONAL ASSEMBLY	SCALE: NTS
300lb. Flg. Style FSA	DATE: 07/01/2011
Fabricated Carbon Steel Y-Strainer	DR. BY DSF
MAT'L: Fabricated Carbon Steel	REQ. ---