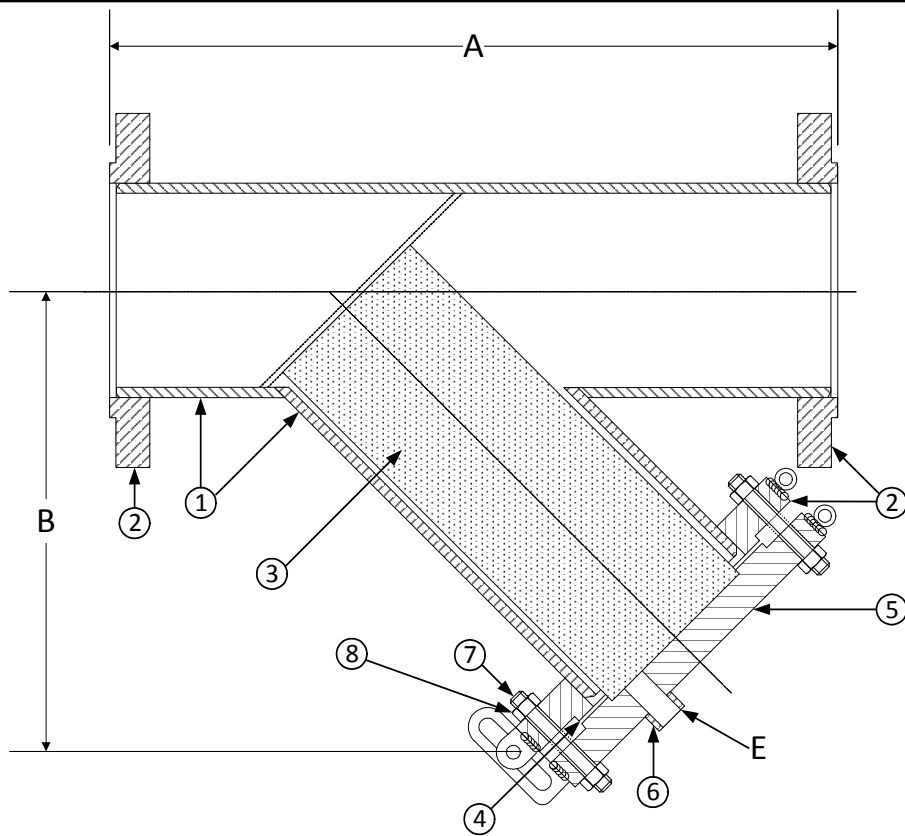


DRAWING NO.
AL 92080




PARTS LIST		
Item	Description	Material
1	Pipe	Carbon Steel Pipe (ASTM A 53)
2*	600lb RFSO Flange	Carbon Steel (ASTM A 105) B16.5
3	Screen	Stainless Steel (304) – 1/8" perf.
4	Gasket	Fiber
5	600lb Blind Flange (Cover)	Carbon Steel (ASTM A 105)
6	3000# NPT Half Coupling	Carbon Steel (ASTM A 105)
7	Studs	Carbon Steel (ASTM A 193, Grade B7)
8	Nuts	Carbon Steel (ASTM A 194, Grade 2H)

*30" Flanges are RFWN Series B.

BODY PRESSURE & TEMPERATURE RATINGS – NON SHOCK	
NOM. RATING	4" to 24"
600# R.F.& D.	1480 PSI @ 100°F

Product Numbers†	SIZE	DIMENSIONS (in)			WEIGHT (lbs)	
		A	B	E	Cover	Total
45RFFY-FCS125P34-FHB	4	22	15	1	37	210
55RFFY-FCS125P34-FHB	5	25	17	1	63	340
65RFFY-FCS125P34-FHB	6	28	20	1	80	445
85RFFY-FCS125P34-FHB	8	32	23	1-1/2	115	720
105RFFY-FCS125P34-FHB	10	38	26	1-1/2	177	1075
125RFFY-FCS125P34-FHB	12	44	30	1-1/2	215	1375
145RFFY-FCS125P34-FHB	14	50	34	2	259	1820
165RFFY-FCS125P34-FHB	16	54	37	2	366	2500
185RFFY-FCS125P34-FHB	18	59	41	2	476	3320
205RFFY-FCS125P34-FHB	20	65	46	2	612	4310
245RFFY-FCS125P34-FHB	24	72	52	2	876	6370

†See "Style FSA Product Number Configuration" for additional options.

 3400 CLEVELAND SKOKIE ILLINOIS	DRAWING NO. AL 92080
	PART NO.
DIMENSIONAL ASSEMBLY	SCALE: NTS
600lb. Flg. Style FSA	DATE: 07/01/2011
Fabricated Carbon Steel Y-Strainer	DR. BY DSF
MAT'L: Fabricated Carbon Steel	REQ. ---