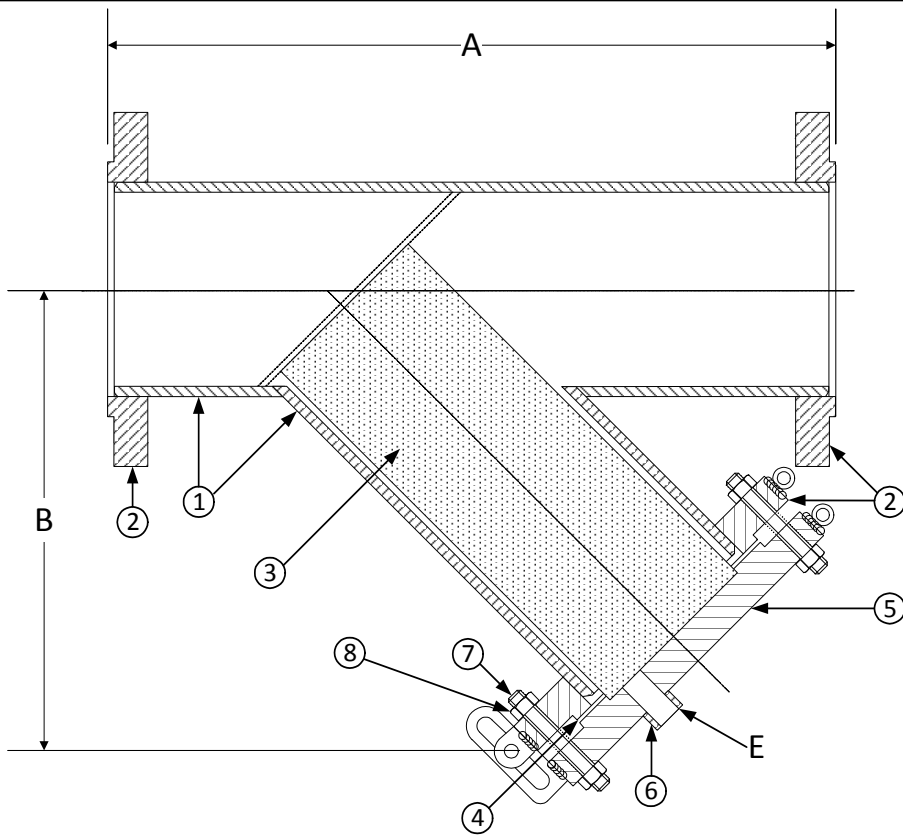


DRAWING NO.
AL 92240



BODY PRESSURE & TEMPERATURE RATINGS - NON SHOCK	
NOM. RATING	4" to 30"
150# R.F. & D. (STANDARD FLANGE)	275 PSI @ 100°F

PARTS LIST		
Item	Description	Material
1	Pipe	Stainless Steel Pipe (ASTM A 312, Grade TP-316)
2*	150lb RFSO Flange	Stainless Steel (ASTM A 182, Grade F-316) B16.5
3	Screen	Stainless Steel (304) - 1/8" perf.
4	Gasket	Fiber
5	150lb Blind Flange (Cover)	Stainless Steel (ASTM A 182, Grade F-316)
6	3000# NPT Half Coupling	Stainless Steel (ASTM A 182, Grade F-316)
7	Studs	Stainless Steel (ASTM A 193, Grade B8)
8	Nuts	Stainless Steel (ASTM A 194, Grade 8)

*30" Flanges are RFWN Series B.

Product Numbers†	SIZE	DIMENSIONS (in)			WEIGHT (lbs)	
		A	B	E	Cover	Total
42RFFY-F36125P34-FHB	4	16	12	1	13	100
52RFFY-F36125P34-FHB	5	19	14	1	15	130
62RFFY-F36125P34-FHB	6	22	16	1	19	175
82RFFY-F36125P34-FHB	8	26	19	1-1/2	30	280
102RFFY-F36125P34-FHB	10	30	24	1-1/2	43	390
122RFFY-F36125P34-FHB	12	35	26	1-1/2	64	560
142RFFY-F36125P34-FHB	14	39	30	2	90	800
162RFFY-F36125P34-FHB	16	45	34	2	106	1000
182RFFY-F36125P34-FHB	18	46	34	2	130	1150
202RFFY-F36125P34-FHB	20	52	38	2	165	1400
242RFFY-F36125P34-FHB	24	60	44	2	220	2000
302RFFY-F36125P34-FHB	30	72	50	2	150	3000

†See "Style FSA Product Number Configuration" for additional options.

KECKLEY

3400 CLEVELAND SKOKIE ILLINOIS

DRAWING NO.
AL 92240

DIMENSIONAL ASSEMBLY

PART NO.

150lb. Flg. Style FSA

SCALE: NTS

Fabricated 316 SS Y-Strainer

DATE: 07/01/2011

MAT'L: Fabricated 316 SS

REQ. ---

DR. BY DSF