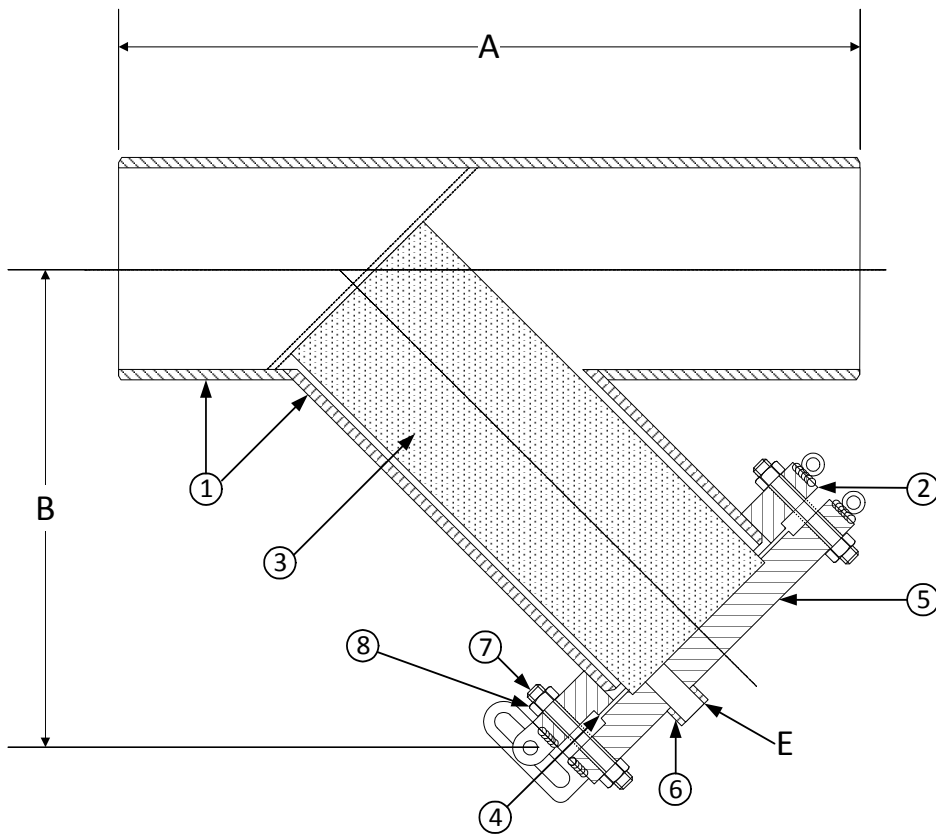


DRAWING NO.
AL 92380



PARTS LIST		
Item	Description	Material
1	Pipe	Copper Nickel 90/10
2*	150lb RFSO Flange	Copper Nickel 90/10
3	Screen	Stainless Steel (304) – 1/8" perf.
4	Gasket	Fiber
5	150lb Blind Flange (Cover)	Copper Nickel 90/10
6	3000# NPT Half Coupling	Copper Nickel 90/10
7	Studs	Carbon Steel (ASTM A 193, Grade B7)
8	Nuts	Carbon Steel (ASTM A 194, Grade 2H)

*30" Flanges are RFWN Series B.

BODY PRESSURE & TEMPERATURE RATINGS – NON SHOCK	
NOM. RATING	4" to 30"
150# Butt Weld	225 PSI @ 150°F

Product Numbers†	SIZE	DIMENSIONS (in)			WEIGHT (lbs)	
		A	B	E	Cover	Total
42B4FY-FCU125P34-FHB	4	16	12	1	13	100
52B4FY-FCU125P34-FHB	5	19	14	1	15	130
62B4FY-FCU125P34-FHB	6	22	16	1	19	175
82B4FY-FCU125P34-FHB	8	26	19	1-1/2	30	280
102B4FY-FCU125P34-FHB	10	30	24	1-1/2	43	390
122B4FY-FCU125P34-FHB	12	35	26	1-1/2	64	560
142B4FY-FCU125P34-FHB	14	39	30	2	90	800
162B4FY-FCU125P34-FHB	16	45	34	2	106	1000
182B4FY-FCU125P34-FHB	18	46	34	2	130	1150
202B4FY-FCU125P34-FHB	20	52	38	2	165	1400
242B4FY-FCU125P34-FHB	24	60	44	2	220	2000
302B4FY-FCU125P34-FHB	30	72	50	2	150	3000

†See "Style FSA Product Number Configuration" for additional options.

KECKLEY

3400 CLEVELAND SKOKIE ILLINOIS

DRAWING NO.
AL 92380

DIMENSIONAL ASSEMBLY

PART NO.

150lb. Schd 40 Butt Weld Style FSA

SCALE: NTS

Fabricated Copper Nickel 90/10 Y-Strainer

DATE: 07/01/2011

MAT'L: Fabricated Copper Nickel 90/10 REQ. ---

DR. BY DSF