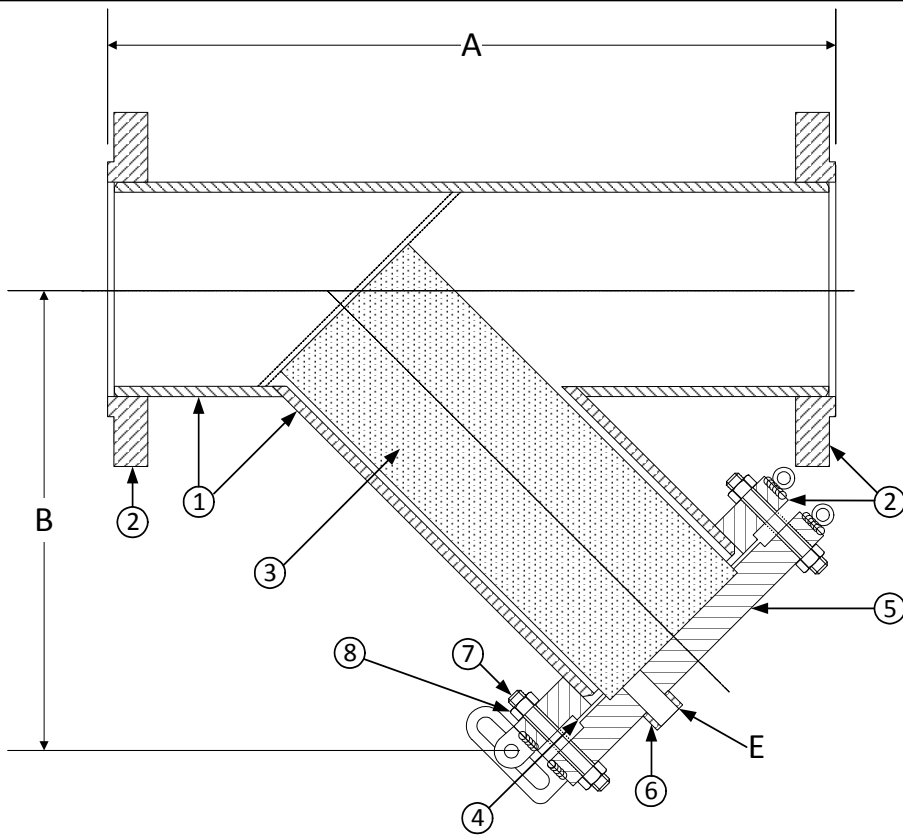


DRAWING NO.
AL 92160



BODY PRESSURE & TEMPERATURE RATINGS – NON SHOCK	
NOM. RATING	4" to 30"
300# R.F. & D. (EX. HEAVY FLANGE)	720 PSI @ 100°F

PARTS LIST		
Item	Description	Material
1	Pipe	Stainless Steel Pipe (ASTM A 312, Grade TP-304)
2*	300lb RFSO Flange	Stainless Steel (ASTM A 182, Grade F-304) B16.5
3	Screen	Stainless Steel (304) – 1/8" perf.
4	Gasket	Fiber
5	300lb Blind Flange (Cover)	Stainless Steel (ASTM A 182, Grade F-304)
6	300# NPT Half Coupling	Stainless Steel (ASTM A 182, Grade F-304)
7	Studs	Stainless Steel (ASTM A 193, Grade B8)
8	Nuts	Stainless Steel (ASTM A 194, Grade 8)

*30" Flanges are RFWN Series B.

Product Numbers†	SIZE	DIMENSIONS (in)			WEIGHT (lbs)	
		A	B	E	Cover	Total
44RFFY-F34125P34-FHB	4	18	13	1	24	140
54RFFY-F34125P34-FHB	5	21	15	1	31	200
64RFFY-F34125P34-FHB	6	24	19	1	39	265
84RFFY-F34125P34-FHB	8	28	22	1-1/2	58	410
104RFFY-F34125P34-FHB	10	31	24	1-1/2	81	600
124RFFY-F34125P34-FHB	12	36	27	1-1/2	115	840
144RFFY-F34125P34-FHB	14	41	32	2	165	1100
164RFFY-F34125P34-FHB	16	47	36	2	220	1500
184RFFY-F34125P34-FHB	18	50	36	2	280	1775
204RFFY-F34125P34-FHB	20	55	40	2	325	2100
244RFFY-F34125P34-FHB	24	62	46	2	490	3100
304RFFY-F34125P34-FHB	30	74	53	2	550	5150

†See "Style FSA Product Number Configuration" for additional options.

KECKLEY

3400 CLEVELAND SKOKIE ILLINOIS

DRAWING NO.
AL 92160

DIMENSIONAL ASSEMBLY

PART NO.

300lb. Flg. Style FSA

SCALE: NTS

Fabricated 304 SS Y-Strainer

DATE: 07/01/2011

MAT'L: Fabricated 304 SS

REQ. ---

DR. BY DSF