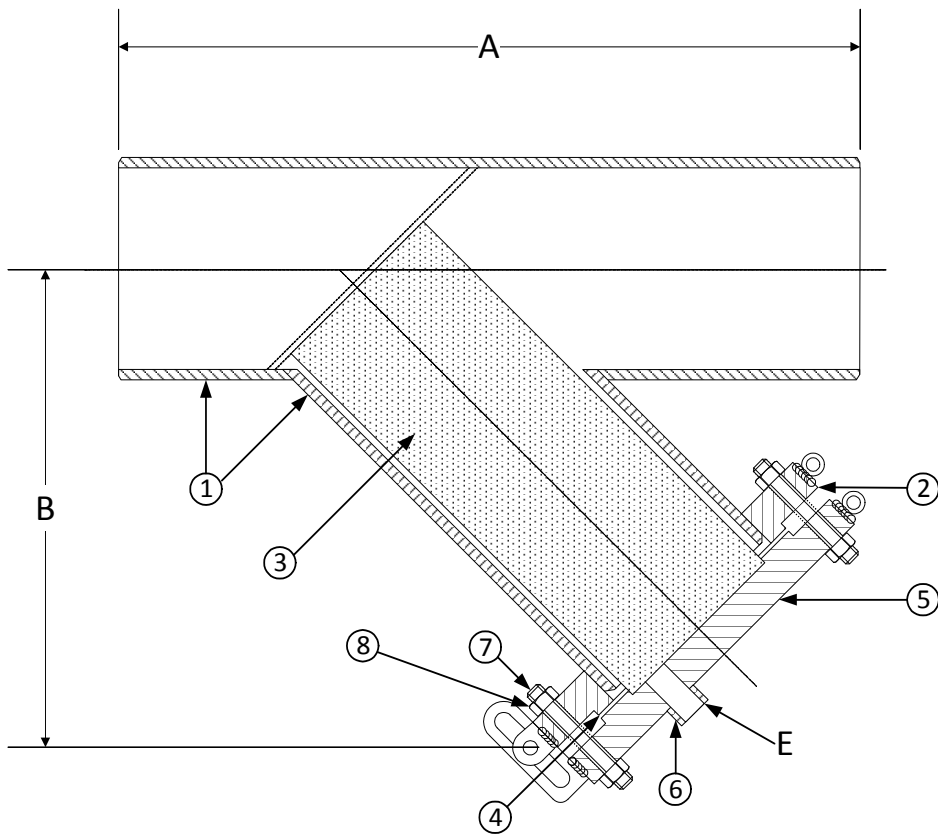


DRAWING NO.
AL 92180



BODY PRESSURE & TEMPERATURE RATINGS – NON SHOCK	
NOM. RATING	4" to 30"
300# Butt Weld	720 PSI @ 100°F

PARTS LIST		
Item	Description	Material
1	Pipe	Stainless Steel Pipe (ASTM A 312, Grade TP-304)
2*	300lb RFSO Flange	Stainless Steel (ASTM A 182, Grade F-304) B16.5
3	Screen	Stainless Steel (304) – 1/8" perf.
4	Gasket	Fiber
5	300lb Blind Flange (Cover)	Stainless Steel (ASTM A 182, Grade F-304)
6	300# NPT Half Coupling	Stainless Steel (ASTM A 182, Grade F-304)
7	Studs	Stainless Steel (ASTM A 193, Grade B8)
8	Nuts	Stainless Steel (ASTM A 194, Grade 8)

*30" Flanges are RFWN Series B.

Product Numbers†	SIZE	DIMENSIONS (in)			WEIGHT (lbs)	
		A	B	E	Cover	Total
44B4FY-F34125P34-FHB	4	18	13	1	24	140
54B4FY-F34125P34-FHB	5	21	15	1	31	200
64B4FY-F34125P34-FHB	6	24	19	1	39	265
84B4FY-F34125P34-FHB	8	28	22	1-1/2	58	410
104B4FY-F34125P34-FHB	10	31	24	1-1/2	81	600
124B4FY-F34125P34-FHB	12	36	27	1-1/2	115	840
144B4FY-F34125P34-FHB	14	41	32	2	165	1100
164B4FY-F34125P34-FHB	16	47	36	2	220	1500
184B4FY-F34125P34-FHB	18	50	36	2	280	1775
204B4FY-F34125P34-FHB	20	55	40	2	325	2100
244B4FY-F34125P34-FHB	24	62	46	2	490	3100
304B4FY-F34125P34-FHB	30	74	53	2	550	5150

†See "Style FSA Product Number Configuration" for additional options.

KECKLEY

3400 CLEVELAND SKOKIE ILLINOIS

DRAWING NO.
AL 92180

DIMENSIONAL ASSEMBLY

PART NO.

300lb. Schd. 40 Butt Weld Style FSA

SCALE: NTS

Fabricated 304 SS Y-Strainer

DATE: 07/01/2011

MAT'L: Fabricated 304 SS

REQ. ---

DR. BY DSF