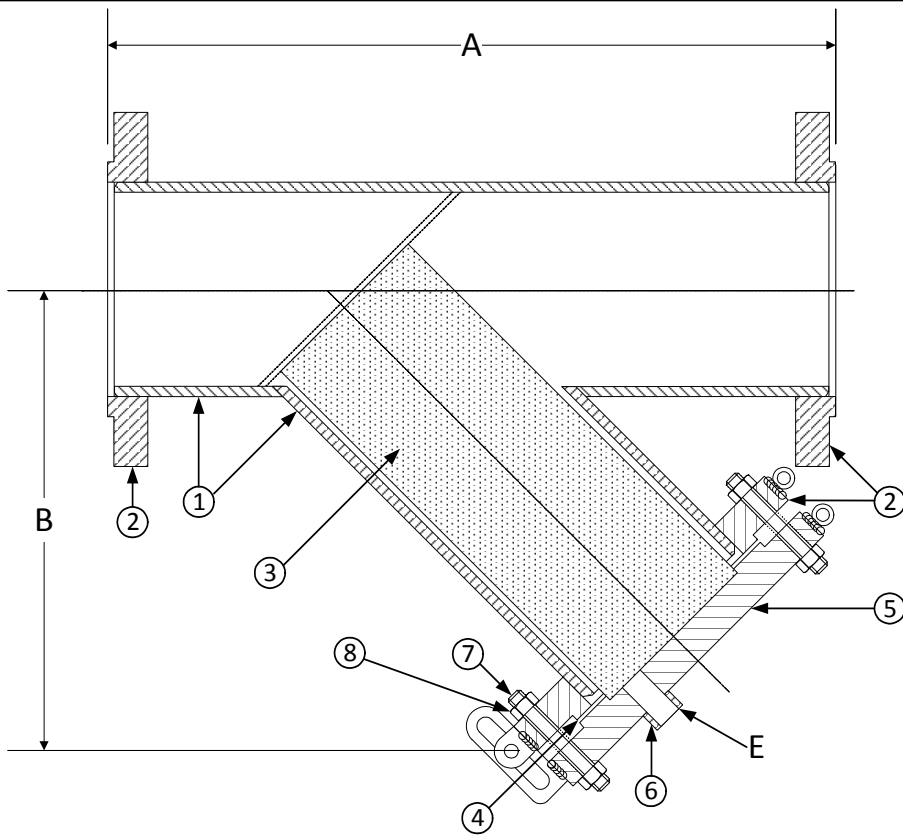


DRAWING NO.  
AL 92200



BODY PRESSURE & TEMPERATURE RATINGS - NON SHOCK	
NOM. RATING	4" to 24"
600# R.F. & D.	1440 PSI @ 100°F

PARTS LIST		
Item	Description	Material
1	Pipe	Stainless Steel Pipe (ASTM A 312, Grade TP-304)
2*	600lb RFSO Flange	Stainless Steel (ASTM A 182, Grade F-304) B16.5
3	Screen	Stainless Steel (304) - 1/8" perf.
4	Gasket	Fiber
5	600lb Blind Flange (Cover)	Stainless Steel (ASTM A 182, Grade F-304)
6	3000# NPT Half Coupling	Stainless Steel (ASTM A 182, Grade F-304)
7	Studs	Stainless Steel (ASTM A 193, Grade B8)
8	Nuts	Stainless Steel (ASTM A 194, Grade 8)

\*30" Flanges are RFWN Series B.

Product Numbers†	SIZE	DIMENSIONS (in)			WEIGHT (lbs)	
		A	B	E	Cover	Total
45RFFY-F34125P34-FHB	4	22	15	1	37	210
55RFFY-F34125P34-FHB	5	25	17	1	63	340
65RFFY-F34125P34-FHB	6	28	20	1	80	445
85RFFY-F34125P34-FHB	8	32	23	1-1/2	115	720
105RFFY-F34125P34-FHB	10	38	26	1-1/2	177	1075
125RFFY-F34125P34-FHB	12	44	30	1-1/2	215	1375
145RFFY-F34125P34-FHB	14	50	34	2	259	1820
165RFFY-F34125P34-FHB	16	54	37	2	366	2500
185RFFY-F34125P34-FHB	18	59	41	2	476	3320
205RFFY-F34125P34-FHB	20	65	46	2	612	4310
245RFFY-F34125P34-FHB	24	72	52	2	876	6370

†See "Style FSA Product Number Configuration" for additional options.

**KECKLEY**

3400 CLEVELAND SKOKIE ILLINOIS

DRAWING NO.  
AL 92200

DIMENSIONAL ASSEMBLY

PART NO.

600lb. Flg. Style FSA

SCALE: NTS

Fabricated 304 SS Y-Strainer

DATE: 07/01/2011

MAT'L: Fabricated 304 SS

REQ. ---

DR. BY DSF