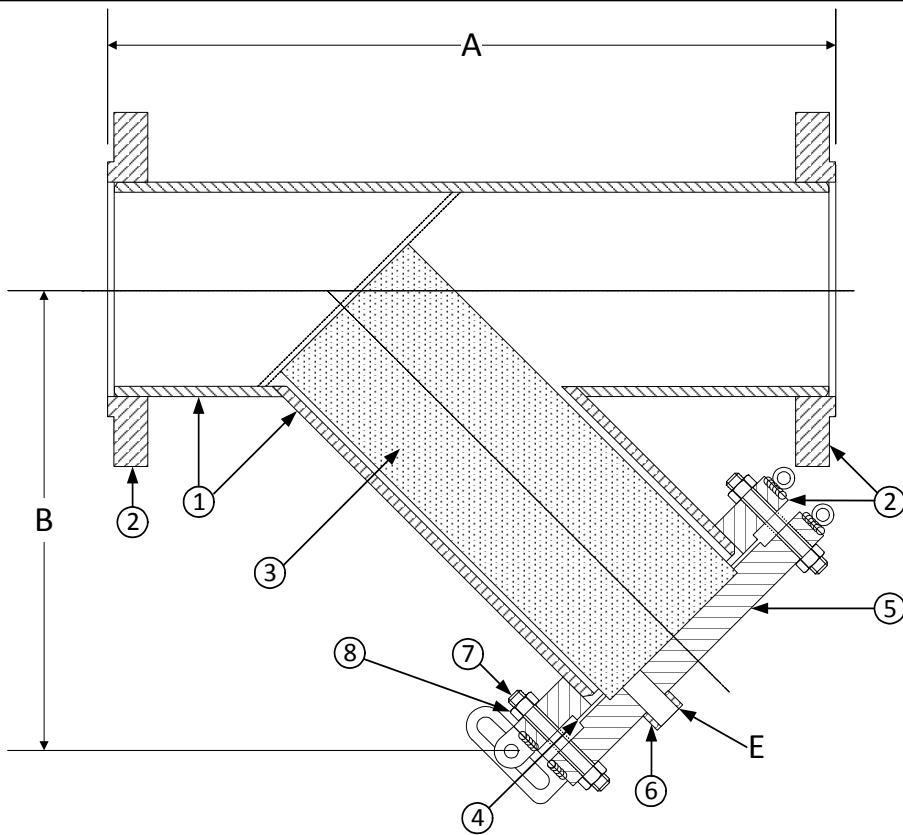


DRAWING NO.
DF1




PARTS LIST		
Item	Description	Material
1	Pipe	Stainless Steel Pipe (ASTM A 312, Grade TP-316)
2*	600lb RFSO Flange	Stainless Steel (ASTM A 182, Grade F-316) B16.5
3	Screen	Stainless Steel (304) – 1/8" perf.
4	Gasket	Fiber
5	600lb Blind Flange (Cover)	Stainless Steel (ASTM A 182, Grade F-316)
6	3000# NPT Half Coupling	Stainless Steel (ASTM A 182, Grade F-316)
7	Studs	Stainless Steel (ASTM A 193, Grade B8)
8	Nuts	Stainless Steel (ASTM A 194, Grade 8)

*30" Flanges are RFWN Series B.

BODY PRESSURE & TEMPERATURE RATINGS – NON SHOCK	
NOM. RATING	4" to 24"
600# R.F. & D.	

Product Numbers†	SIZE	DIMENSIONS (in)			WEIGHT (lbs)	
		A	B	E	Cover	Total
45RFFY-F36125P34-FHB	4	22	15	1	37	210
55RFFY-F36125P34-FHB	5	25	17	1	63	340
65RFFY-F36125P34-FHB	6	28	20	1	80	445
85RFFY-F36125P34-FHB	8	32	23	1-1/2	115	720
105RFFY-F36125P34-FHB	10	38	26	1-1/2	177	1075
125RFFY-F36125P34-FHB	12	44	30	1-1/2	215	1375
145RFFY-F36125P34-FHB	14	50	34	2	259	1820
165RFFY-F36125P34-FHB	16	54	37	2	366	2500
185RFFY-F36125P34-FHB	18	59	41	2	476	3320
205RFFY-F36125P34-FHB	20	65	46	2	612	4310
245RFFY-F36125P34-FHB	24	72	52	2	876	6370

†See "Style FSA Product Number Configuration" for additional options.

 3400 CLEVELAND SKOKIE ILLINOIS	DRAWING NO. DF1
	PART NO.
DIMENSIONAL ASSEMBLY	SCALE: NTS
600lb. Flg. Style FSA	DATE: 07/01/2011
Fabricated 316 SS Y-Strainer	DR. BY DSF
MAT'L: Fabricated 316 SS	REQ. ---