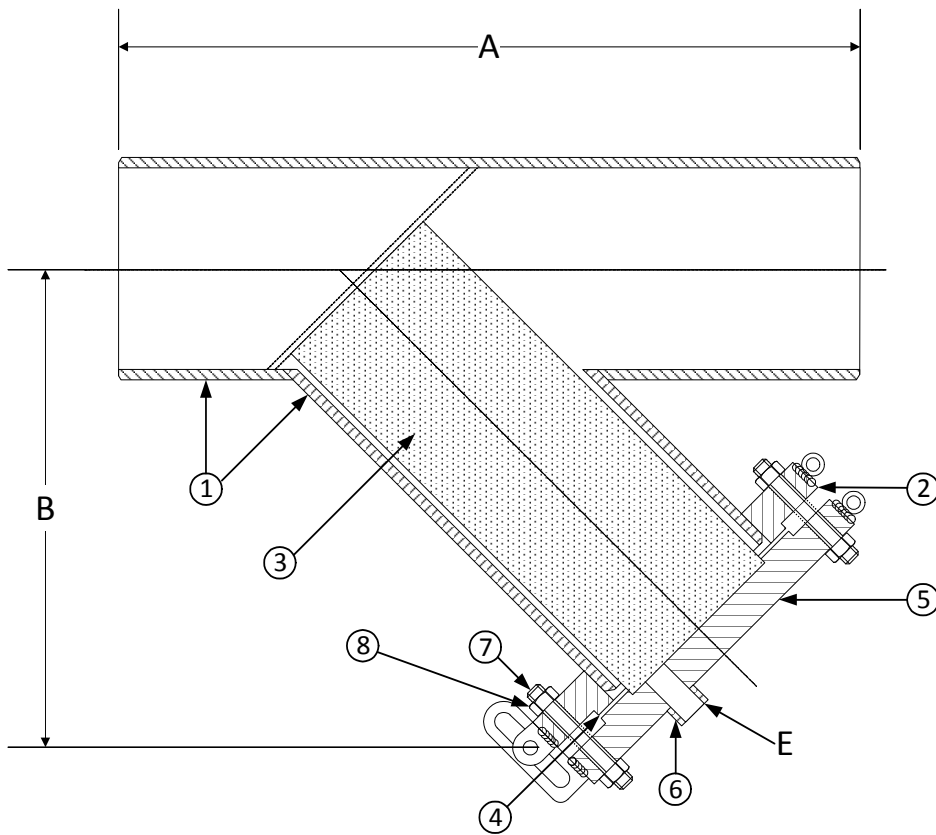


DRAWING NO.
AL 92220



BODY PRESSURE & TEMPERATURE RATINGS – NON SHOCK	
NOM. RATING	4" to 24"
600# Butt Weld	1440 PSI @ 100°F

PARTS LIST		
Item	Description	Material
1	Pipe	Stainless Steel Pipe (ASTM A 312, Grade TP-304)
2*	600lb RFSO Flange	Stainless Steel (ASTM A 182, Grade F-304) B16.5
3	Screen	Stainless Steel (304) – 1/8" perf.
4	Gasket	Fiber
5	600lb Blind Flange (Cover)	Stainless Steel (ASTM A 182, Grade F-304)
6	3000# NPT Half Coupling	Stainless Steel (ASTM A 182, Grade F-304)
7	Studs	Stainless Steel (ASTM A 193, Grade B8)
8	Nuts	Stainless Steel (ASTM A 194, Grade 8)

*30" Flanges are RFWN Series B.

Product Numbers†	SIZE	DIMENSIONS (in)			WEIGHT (lbs)	
		A	B	E	Cover	Total
45B4FY-F34125P34-FHB	4	22	15	1	37	210
55B4FY-F34125P34-FHB	5	25	17	1	63	340
65B4FY-F34125P34-FHB	6	28	20	1	80	445
85B4FY-F34125P34-FHB	8	32	23	1-1/2	115	720
105B4FY-F34125P34-FHB	10	38	26	1-1/2	177	1075
125B4FY-F34125P34-FHB	12	44	30	1-1/2	215	1375
145B4FY-F34125P34-FHB	14	50	34	2	259	1820
165B4FY-F34125P34-FHB	16	54	37	2	366	2500
185B4FY-F34125P34-FHB	18	59	41	2	476	3320
205B4FY-F34125P34-FHB	20	65	46	2	612	4310
245B4FY-F34125P34-FHB	24	72	52	2	876	6370

†See "Style FSA Product Number Configuration" for additional options.

KECKLEY

3400 CLEVELAND SKOKIE ILLINOIS

DRAWING NO.
AL 92220

DIMENSIONAL ASSEMBLY

PART NO.

600lb. Schd. 40 Butt Weld Style FSA

SCALE: NTS

Fabricated 304 SS Y-Strainer

DATE: 07/01/2011

MAT'L: Fabricated 304 SS

REQ. ---

DR. BY DSF