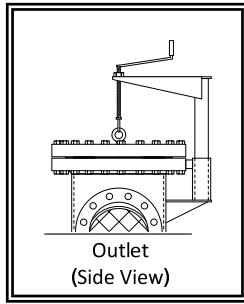
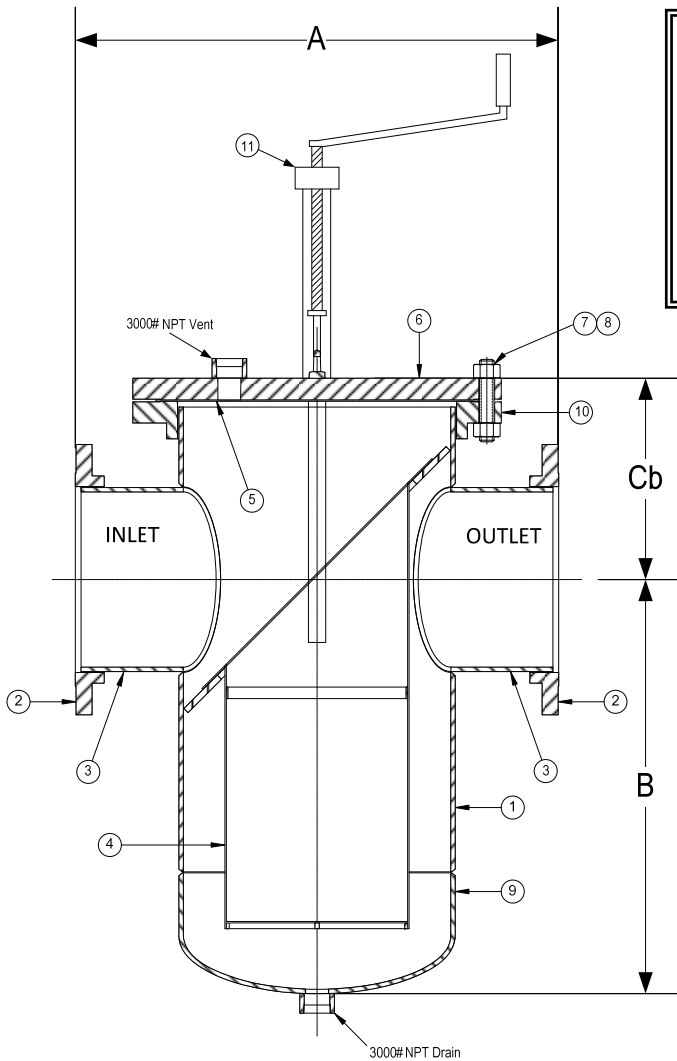


DRAWING NO.
AL 93320



PARTS LIST

Item	Description	Material
1	BODY	STAINLESS STEEL PIPE (ASTM A 312, GRADE TP-316) Sch STD
2*	150LB RFSO Flange	STAINLESS STEEL (ASTM A 182, GRADE F-316) B16.5
3	NOZZLE	STAINLESS STEEL PIPE (ASTM A 312, GRADE TP-316) Sch STD
4	BASKET	STAINLESS STEEL (304) – 1/8" PERFORATION
5	GASKET	FIBER
6*	150LB BLIND FLANGE (COVER)	STAINLESS STEEL (ASTM A 182, GRADE F-316) B16.5
7	STUDS	STAINLESS STEEL (ASTM A193, GRADE B8)
8	NUTS	STAINLESS STEEL (ASTM A 194, GRADE 8)
9	WELD CAP	STAINLESS STEEL (ASTM A 403, GRADE WP-316) Sch STD
10*	150LB RFSO Flange	STAINLESS STEEL (ASTM A 182, GRADE F-316) B16.5
11	LIFTING DAVIT COMPONENTS	STAINLESS STEEL (ASTM A 312 & ASTM A 240)

*30" & Larger Flanges are RFWN Series B.

Product Numbers†	DIMENSIONS (in)						Body (Housing)	WEIGHT (lbs)	
	SIZE	A	B	Cb	Vent	Drain		Cover	Total
12RFFB-F36125P34-FBB	1	10	7	4-1/2	1/4	1/2	3	9	43
11/22RFFB-F36125P34-FBB	1-1/2"	11	8	5-1/2	1/4	1/2	4	17	68
22RFFB-F36125P34-FBB	2"	12	8	6-1/2	1/4	1/2	4	17	72
21/22RFFB-F36125P34-FBB	2-1/2"	14	13	10	1/4	1/2	5	20	91
32RFFB-F36125P34-FBB	3"	14	13	10	1/4	1/2	6	27	131
42RFFB-F36125P34-FBB	4"	16	14	10-1/2	1/2	1	8	47	241
52RFFB-F36125P34-FBB	5"	16	15	11	1/2	1	8	47	277
62RFFB-F36125P34-FBB	6"	20	17	11	1/2	1	10	70	336
82RFFB-F36125P34-FBB	8"	22	21	12	1/2	1-1/2	12	123	479
102RFFB-F36125P34-FBB	10"	32	25	13	1/2	1-1/2	16	180	740
122RFFB-F36125P34-FBB	12"	35	28	15	1/2	1-1/2	18	220	862
142RFFB-F36125P34-FBB	14"	37	33	16-1/2	1/2	2	20	285	1096
162RFFB-F36125P34-FBB	16"	42	36	17-1/2	1/2	2	24	430	1573
182RFFB-F36125P34-FBB	18"	42	39	18-1/2	1/2	2	24	430	1607
202RFFB-F36125P34-FBB	20"	43	44	20	1/2	2	30	543	2201
242RFFB-F36125P34-FBB	24"	48	44	21	1/2	2	30	543	2233
302RFFB-F36125P34-FBB	30"	60	54	31	1/2	2	36	890	3410

†See "Style FB Product Number Configuration" for additional options.

BODY PRESSURE & TEMPERATURE RATINGS – NON SHOCK	
NOM. RATING	1" to 30"
150# RFSO	275 PSI @ 100°F

<p>3400 CLEVELAND SKOKIE ILLINOIS</p>	DRAWING NO. AL 93320
	PART NO.
DIMENSIONAL ASSEMBLY	SCALE: NTS
150Lb. Flg. Style FB-D, Fabricated 316SS	DATE: 07/01/2011
Basket strainer, Bolted Cover	DR. BY DSF
MAT'L: Fabricated 316SS	REQ. ---