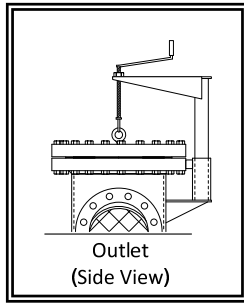
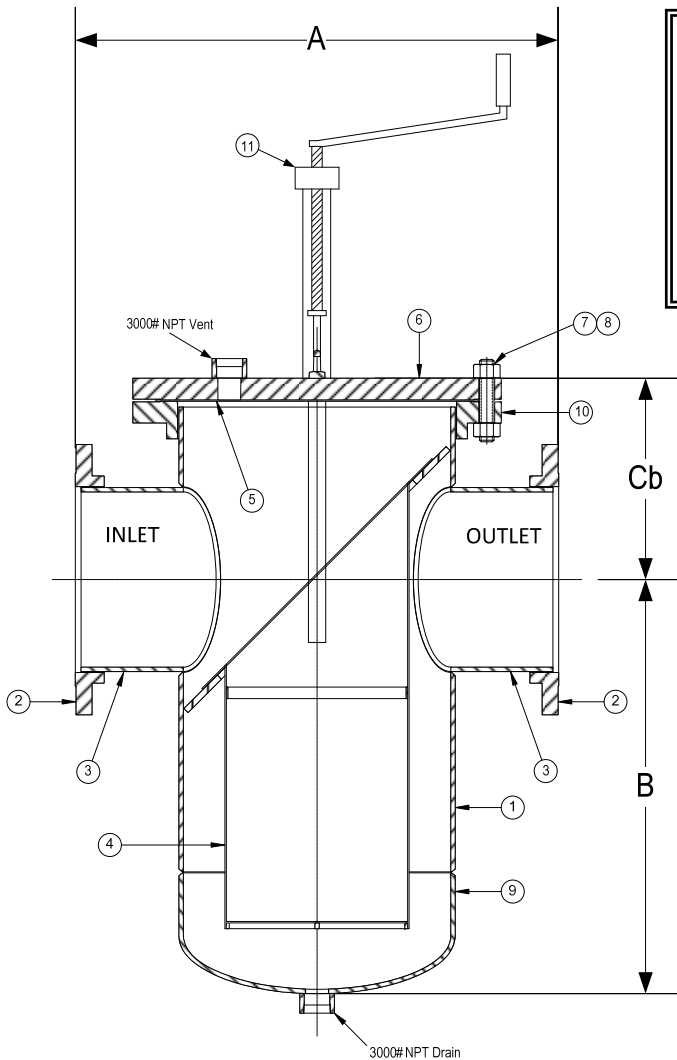


DRAWING NO.  
AL 93340



**PARTS LIST**


Item	Description	Material
1	BODY	STAINLESS STEEL PIPE (ASTM A 312, GRADE TP-316) Sch STD
2*	300LB RFSO Flange	STAINLESS STEEL (ASTM A 182, GRADE F-316) B16.5
3	NOZZLE	STAINLESS STEEL PIPE (ASTM A 312, GRADE TP-316) Sch STD
4	BASKET	STAINLESS STEEL (304) – 1/8" PERFORATION
5	GASKET	FIBER
6*	300LB BLIND FLANGE (COVER)	STAINLESS STEEL (ASTM A 182, GRADE F-316) B16.5
7	STUDS	STAINLESS STEEL (ASTM A193, GRADE B8)
8	NUTS	STAINLESS STEEL (ASTM A 194, GRADE 8)
9	WELD CAP	STAINLESS STEEL (ASTM A 034, GRADE WP-316) Sch STD
10*	300LB RFSO Flange	STAINLESS STEEL (ASTM A 182, GRADE F-316) B16.5
11	LIFTING DAVIT COMPONENTS	STAINLESS STEEL (ASTM A 312 & ASTM A 240)

\*30" & Larger Flanges are RFWN Series B.

Product Numbers†	DIMENSIONS (in)						Body (Housing)	WEIGHT (lbs)	
	SIZE	A	B	Cb	Vent	Drain		Cover	Total
14RFFB-F36125P34-FBB	1	11	7	6-1/2	1/4	1/2	3	16	58
11/24RFFB-F36125P34-FBB	1-1/2"	12	8	7-1/2	1/4	1/2	4	28	98
24RFFB-F36125P34-FBB	2"	13	8	8-1/2	1/4	1/2	4	28	100
21/24RFFB-F36125P34-FBB	2-1/2"	15	13	12	1/4	1/2	5	37	141
34RFFB-F36125P34-FBB	3"	15	13	12	1/4	1/2	8	50	197
44RFFB-F36125P34-FBB	4"	17	14	12-1/2	1/2	1	8	81	342
54RFFB-F36125P34-FBB	5"	17	15	13	1/2	1	8	81	354
64RFFB-F36125P34-FBB	6"	21	17	13	1/2	1	10	124	495
84RFFB-F36125P34-FBB	8"	23	21	14	1/2	1-1/2	12	185	695
104RFFB-F36125P34-FBB	10"	33	25	15	1/2	1-1/2	16	315	1153
124RFFB-F36125P34-FBB	12"	36	28	17	1/2	1-1/2	18	415	1513
144RFFB-F36125P34-FBB	14"	38	33	18-1/2	1/2	2	20	515	1855
164RFFB-F36125P34-FBB	16"	43	36	19-1/2	1/2	2	24	800	2806
184RFFB-F36125P34-FBB	18"	43	39	20	1/2	2	24	800	2872
204RFFB-F36125P34-FBB	20"	44	44	22	1/2	2	30	1249	4429
244RFFB-F36125P34-FBB	24"	49	44	23	1/2	2	30	1249	4524
304RFFB-F36125P34-FBB	30"	63	54	58	1/2	2	36	1921	6772

†See "Style FB Product Number Configuration" for additional options.

BODY PRESSURE & TEMPERATURE RATINGS – NON SHOCK	
NOM. RATING	1" to 30"
300# RFSO	720 PSI @ 100°F

 3400 CLEVELAND      SKOKIE ILLINOIS	DRAWING NO. AL 93340
	PART NO.
DIMENSIONAL ASSEMBLY	SCALE: NTS
300Lb. Flg. Style FB-D, Fabricated 316SS	DATE: 07/01/2011
Basket strainer, Bolted Cover	DR. BY DSF
MAT'L: Fabricated 316SS	REQ. ---