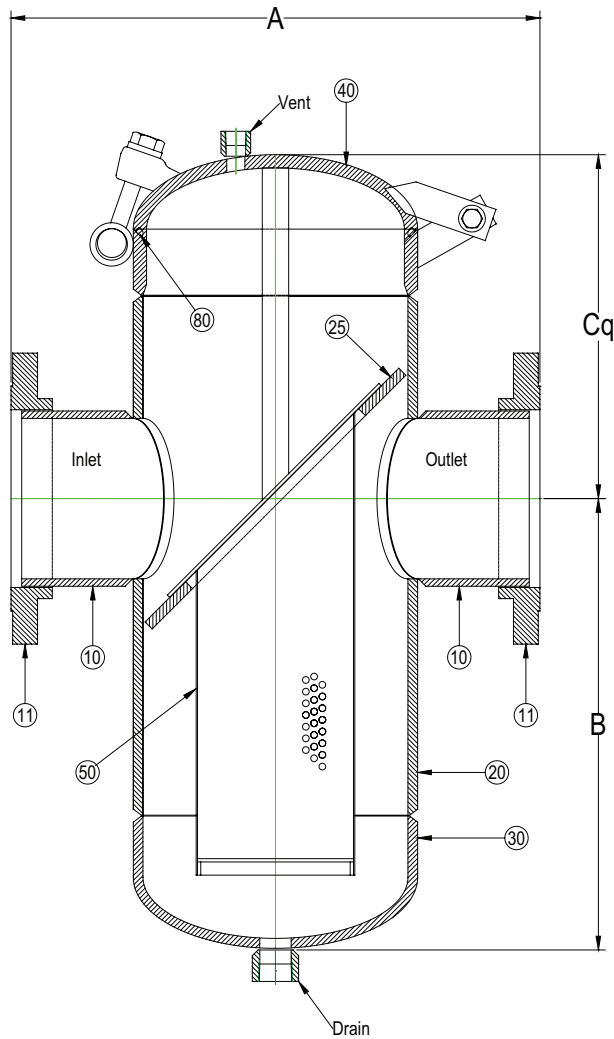


DRAWING NO.
AL 93540



BODY PRESSURE & TEMPERATURE RATINGS - NON SHOCK

NOM. RATING	4"	5"	6"	8"	10"	12"	14"	16"	18"	20"	24"	30"
Class 300	390	390	365	380	385	365	345	305	305	235	235	180

Pressure limitations due to T-bolt design.

Product Number [†]	SIZE	DIMENSIONS (in)					SHELL	WEIGHT (lbs)	
		A	B	Cq	Vent	Drain		Force to lift Cover	Total
44RFFB-F36125P34-BOQ	4	17	14	11	1/2	1	8	9	180
54RFFB-F36125P34-BOQ	5	17	15	13	1/2	1	8	9	210
64RFFB-F36125P34-BOQ	6	21	17	13	1/2	1	10	12	260
84RFFB-F36125P34-BOQ	8	23	21	15	1/2	1-1/2	12	15	353
104RFFB-F36125P34-BOQ	10	33	25	17	1/2	1-1/2	16	26	515
124RFFB-F36125P34-BOQ	12	36	28	19	1/2	1-1/2	18	32	758
144RFFB-F36125P34-BOQ	14	38	33	20	1/2	2	20	40	958
164RFFB-F36125P34-BOQ	16	43	36	23	1/2	2	24	58	1335
184RFFB-F36125P34-BOQ	18	43	39	24	1/2	2	24	58	1501
204RFFB-F36125P34-BOQ	20	44	44	24	1/2	2	30	76	1813
244RFFB-F36125P34-BOQ	24	49	44	27	1/2	2	30	76	2193
304RFFB-F36125P34-BOQ	30	60	54	33	1/2	2	36	149	5151

[†]See "Style FB Product Number Configuration" for additional options.

Dimension and weights are for reference only. When required, request certified drawings.

PARTS LIST		
ITEM	DESCRIPTION	MATERIAL
10	NOZZLE	STAINLESS STEEL (ASTM A 312, GRADE TP316)
11	CLASS 300 RF SO FLG	STAINLESS STEEL (ASTM A 182, F316) B16.5
20	SHELL	STAINLESS STEEL (ASTM A 312, GRADE TP316)
25	SEAT	STAINLESS STEEL (ASTM A 240, F316)
30	WELD CAP	STAINLESS STEEL (ASTM A 403, GRADE WP316)
40	T-BOLT (HORIZONTAL)	STAINLESS STEEL (ASTM A 240, GRADE 316) B7 SWING BOLTS
50	BASKET	STAINLESS STEEL (316) - 1/8" PERFORATION
80	O-RING	BUNA-N

*30" & LARGER FLANGES ARE RFWN (SERIES B).

BUNA-N O-RING GOOD FOR TEMPERATURES UP TO 250°F. FOR HIGHER TEMPERATURES CONSULT FACTORY



3400 CLEVELAND

SKOKIE ILLINOIS

DRAWING NO.

AL 93540

DIMENSIONAL ASSEMBLY

PART NO.

4" to 30" Class 300 RF Flg Style FB-Q

SCALE: NTS

DATE: 01/05/2023

MAT'L: (As Noted Above)

REQ. ---

DR. BY DSF