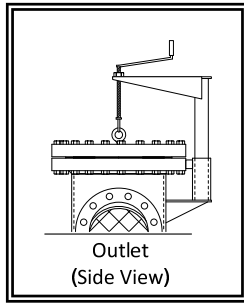
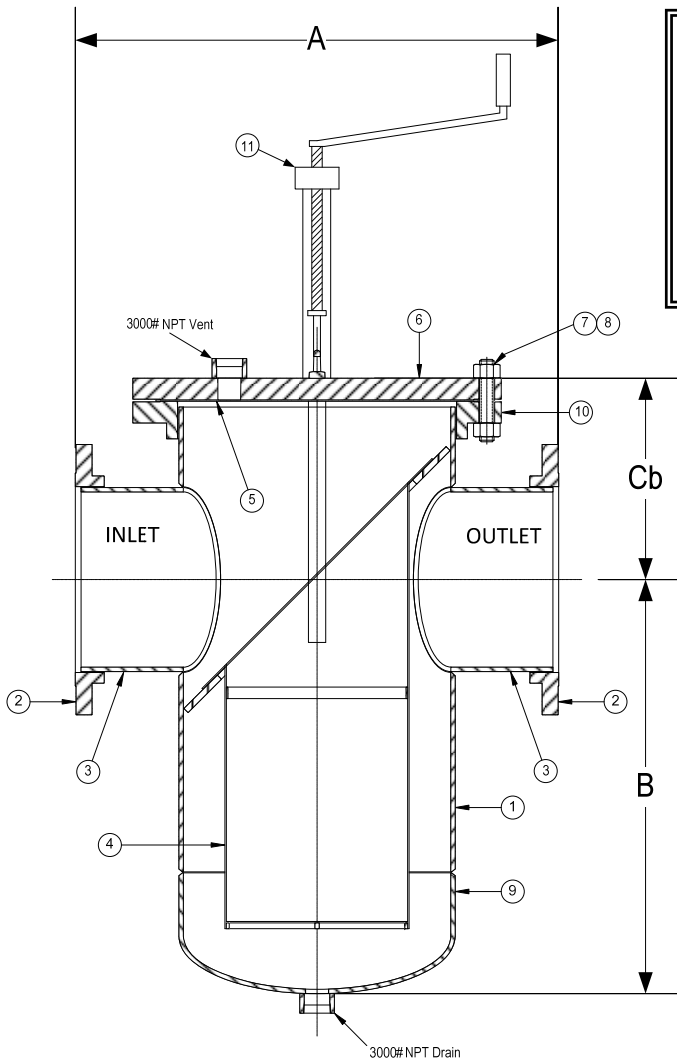


DRAWING NO.
AL 93300



PARTS LIST

Item	Description	Material
1	BODY	STAINLESS STEEL PIPE (ASTM A 312, GRADE TP-304)
2*	600LB RFSO Flange	STAINLESS STEEL (ASTM A 182, GRADE F-304) B16.5
3	NOZZLE	STAINLESS STEEL PIPE (ASTM A 312, GRADE TP-304)
4	BASKET	STAINLESS STEEL (304) – 1/8" PERFORATION
5	GASKET	SPIRAL WOUND STAINLESS STEEL (304) – GRAPHITE FILLED
6*	600LB BLIND FLANGE (COVER)	STAINLESS STEEL (ASTM A 182, GRADE F-304) B16.5
7	STUDS	STAINLESS STEEL (ASTM A193, GRADE B8)
8	NUTS	STAINLESS STEEL (ASTM A 194, GRADE 8)
9	WELD CAP	STAINLESS STEEL (ASTM A 403, GRADE WP-304)
10*	600LB RFSO Flange	STAINLESS STEEL (ASTM A 182, GRADE F-304) B16.5
11	LIFTING DAVIT COMPONENTS	STAINLESS STEEL (ASTM A 312 & ASTM A 240)

*30" & Larger Flanges are RFWN Series B.

Product Numbers†	DIMENSIONS (in)						Body (Housing)	WEIGHT (lbs)	
	SIZE	A	B	Cb	Vent	Drain		Cover	Total
15RFFB-F34125P34-GBB	1"	13	7	8-1/2	1/4	1/2	3	20	70
11/25RFFB-F34125P34-GBB	1-1/2"	14	8	9-1/2	1/4	1/2	4	41	141
25RFFB-F34125P34-GBB	2"	15	8	10-1/2	1/4	1/2	4	41	144
21/25RFFB-F34125P34-GBB	2-1/2"	17	13	14	1/4	1/2	5	68	237
35RFFB-F34125P34-GBB	3"	17	14	14	1/4	1/2	6	86	315
45RFFB-F34125P34-GBB	4"	26	14	16	1/2	1	8	140	551
55RFFB-F34125P34-GBB	5"	26	15	16	1/2	1	8	140	565
65RFFB-F34125P34-GBB	6"	30	18	18	1/2	1	10	231	891
85RFFB-F34125P34-GBB	8"	36	20	20	1/2	1-1/2	12	295	1133
105RFFB-F34125P34-GBB	10"	40	22	22	1/2	1-1/2	16	527	1988
125RFFB-F34125P34-GBB	12"	43	29	24	1/2	1-1/2	18	665	2684
145RFFB-F34125P34-GBB	14"	48	29	27	1/2	2	20	855	3398
165RFFB-F34125P34-GBB	16"	50	34	27	1/2	2	24	1250	4858
185RFFB-F34125P34-GBB	18"	58	43	30	1/2	2	24	1250	5002
205RFFB-F34125P34-GBB	20"	60	43	30	1/2	2	30	1802	7652
245RFFB-F34125P34-GBB	24"	70	51	34	1/2	2	30	1802	8001

†See "Style FB Product Number Configuration" for additional options.

BODY PRESSURE & TEMPERATURE RATINGS – NON SHOCK	
NOM. RATING	1" to 24"
600# RFSO	1440 PSI @ 100°F

 3400 CLEVELAND SKOKIE ILLINOIS	DRAWING NO. AL 93300
	PART NO.
DIMENSIONAL ASSEMBLY	SCALE: NTS
600Lb. Flg. Style FB-D, Fabricated 304SS	DATE: 12/18/2012
Basket strainer, Bolted Cover	DR. BY DSF
MAT'L: Fabricated 304SS	REQ. ---