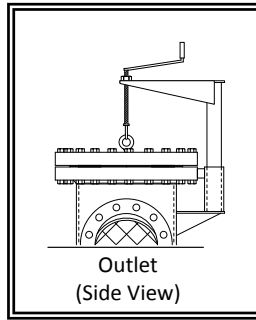
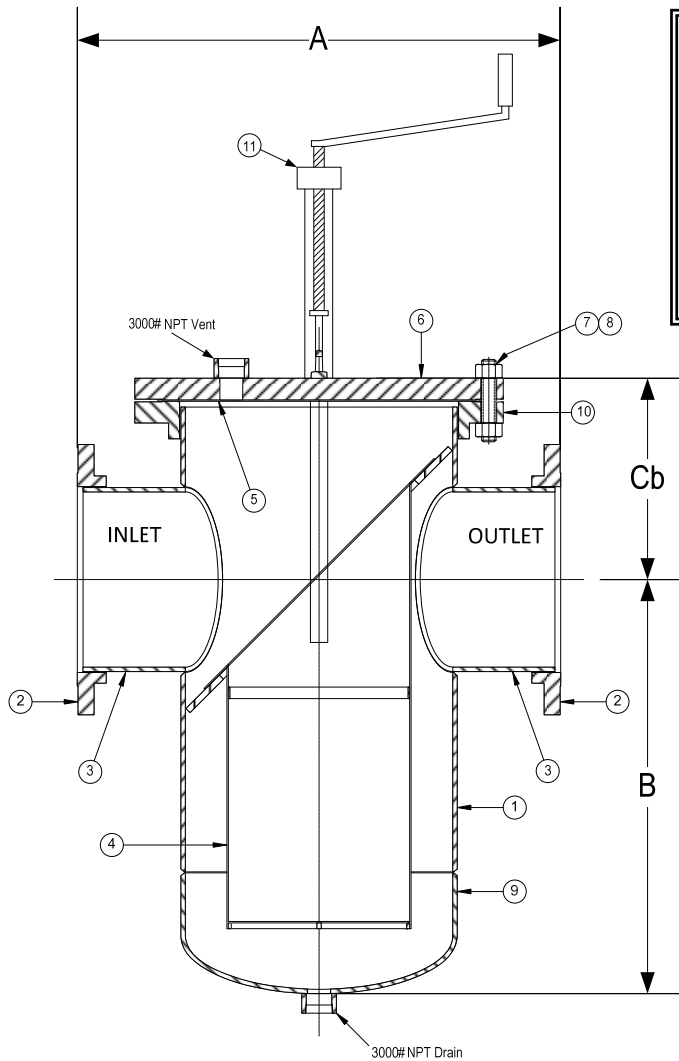


DRAWING NO.
AL 93240



PARTS LIST


Item	Description	Material
1	BODY	CARBON STEEL PIPE (ASTM A 53)
2*	600LB RFSO Flange	CARBON STEEL (ASTM A 105) B16.5
3	NOZZLE	CARBON STEEL PIPE (ASTM A 53)
4	BASKET	STAINLESS STEEL (304) - 1/8" PERFORATION
5	GASKET	SPIRAL WOUND STAINLESS STEEL (304) - GRAPHITE FILLED
6*	600LB BLIND FLANGE (COVER)	CARBON STEEL (ASTM A 105) B16.5
7	STUDS	CARBON STEEL (ASTM A193, GRADE B7)
8	NUTS	CARBON STEEL (ASTM A 194, GRADE 2H)
9	WELD CAP	CARBON STEEL (ASTM A 234, GRADE WPB)
10*	600LB RFSO Flange	CARBON STEEL (ASTM A 105) B16.5
11	LIFTING DAVIT COMPONENTS	CARBON STEEL (ASTM A 53 & ASTM A 36)

*30" & Larger Flanges are RFWN Series B.

Product Numbers†	DIMENSIONS (in)						Body (Housing)	WEIGHT (lbs)	
	SIZE	A	B	Cb	Vent	Drain		Cover	Total
15RFFB-FCS125P34-FBB	1"	13	7	8-1/2	1/4	1/2	3	20	70
11/25RFFB-FCS125P34-FBB	1-1/2"	14	8	9-1/2	1/4	1/2	4	41	141
25RFFB-FCS125P34-FBB	2"	15	8	10-1/2	1/4	1/2	4	41	144
21/25RFFB-FCS125P34-FBB	2-1/2"	17	13	14	1/4	1/2	5	68	237
35RFFB-FCS125P34-FBB	3"	17	14	14	1/4	1/2	6	86	315
45RFFB-FCS125P34-FBB	4"	26	14	16	1/2	1	8	140	551
55RFFB-FCS125P34-FBB	5"	26	15	16	1/2	1	8	140	565
65RFFB-FCS125P34-FBB	6"	30	18	18	1/2	1	10	231	891
85RFFB-FCS125P34-FBB	8"	36	20	20	1/2	1-1/2	12	295	1133
105RFFB-FCS125P34-FBB	10"	40	22	22	1/2	1-1/2	16	527	1988
125RFFB-FCS125P34-FBB	12"	43	29	24	1/2	1-1/2	18	665	2684
145RFFB-FCS125P34-FBB	14"	48	29	27	1/2	2	20	855	3398
165RFFB-FCS125P34-FBB	16"	50	34	27	1/2	2	24	1250	4858
185RFFB-FCS125P34-FBB	18"	58	43	30	1/2	2	24	1250	5002
205RFFB-FCS125P34-FBB	20"	60	43	30	1/2	2	30	1802	7652
245RFFB-FCS125P34-FBB	24"	70	51	34	1/2	2	30	1802	8001

†See "Style FB Product Number Configuration" for additional options.

BODY PRESSURE & TEMPERATURE RATINGS - NON SHOCK	
NOM. RATING	1" to 24"
600# RFSO	1480 PSI @ 100°F

 3400 CLEVELAND SKOKIE ILLINOIS	DRAWING NO. AL 93240
	PART NO.
DIMENSIONAL ASSEMBLY	SCALE: NTS
600Lb. Flg. Style FB-D, Fabricated C.S.	DATE: 12/18/2012
Basket strainer, Bolted Cover	DR. BY DSF
MAT'L: Fabricated Carbon Steel	REQ. ---