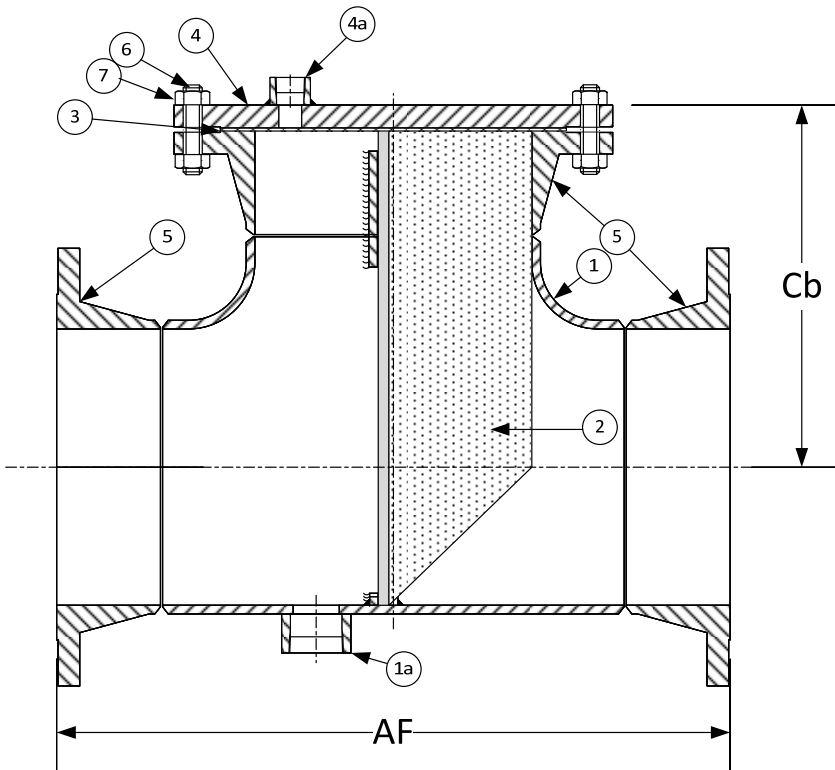


DRAWING NO.  
AL 88120



PARTS LIST		
ITEM	DESCRIPTION	MATERIAL
1	BODY	STAINLESS STEEL (ASTM A 403, GRADE WP-304)
1a	COUPLING - HALF, 3000# NPT	STAINLESS STEEL (ASTM A 182, GRADE F-304)
2	BASKET	STAINLESS STEEL (304) - 1/8" PERFORATION
3	GASKET	FIBER
4	150LB RF BLIND FLANGE	STAINLESS STEEL (ASTM A 182, GRADE F-304)
4a	COUPLING - HALF, 3000# NPT	STAINLESS STEEL (ASTM A 182, GRADE F-304)
5*	150LB RFWN FLANGE	STAINLESS STEEL (ASTM A 182, GRADE F-304) B 16.5
6	STUDS	ALLOY STEEL (ASTM A 193, GRADE B7)
7	NUTS	ALLOY STEEL (ASTM A 194, GRADE 2H)

\*30" & Larger Flanges Are RFWN Series B.

Product Numbers <sup>†</sup>	DIMENSIONS (in)					WEIGHT (lbs)	
	SIZE	AF	Cb	Vent	Drain	Cover	Total
22RFFT-F34125P34-FBB	2"	10	5-3/4	1/8	1/2	5	29
21/22RFFT-F34125P34-FBB	2-1/2"	11-1/2	6-5/8	1/8	1/2	7	53
32RFFT-F34125P34-FBB	3"	12-1/4	7-1/8	1/8	3/4	9	59
42RFFT-F34125P34-FBB	4"	14-1/4	8-1/8	1/2	3/4	17	92
52RFFT-F34125P34-FBB	5"	16-3/4	9-3/8	1/2	1	20	100
62RFFT-F34125P34-FBB	6"	18-1/4	10-1/8	1/2	2	27	136
82RFFT-F34125P34-FBB	8"	22	12-1/8	1/2	2	47	230
102RFFT-F34125P34-FBB	10"	25	13-3/4	1/2	2	70	394
122RFFT-F34125P34-FBB	12"	29	15-3/4	1/2	2	123	520
142RFFT-F34125P34-FBB	14"	32	17-3/8	1/2	2	140	725
162RFFT-F34125P34-FBB	16"	34	18-1/2	1/2	2	180	946
182RFFT-F34125P34-FBB	18"	38	20-5/8	1/2	2	220	1129
202RFFT-F34125P34-FBB	20"	41-3/8	22-3/8	1/2	2	285	1452
242RFFT-F34125P34-FBB	24"	46	24-7/8	1/2	2	430	2300
302RFFT-F34125P34-FBB	30"	52	27-7/8	1/2	2	513	1919

<sup>†</sup>See "Style T Product Number Configuration" for additional options.

BODY PRESSURE & TEMPERATURE RATINGS - NON SHOCK	
NOM. RATING	2" to 30"
150# RFWN	275 PSI @ 100°F

**KECKLEY**

3400 CLEVELAND SKOKIE ILLINOIS

DRAWING NO.  
AL 88120

DIMENSIONAL ASSEMBLY

PART NO.

150lb. Flg, Style T,

SCALE: NTS

Fabricated 304ss Tee Strainer

DATE: 04/03/2017

MAT'L: (As Noted Above)

REQ. ---

DR. BY DSF