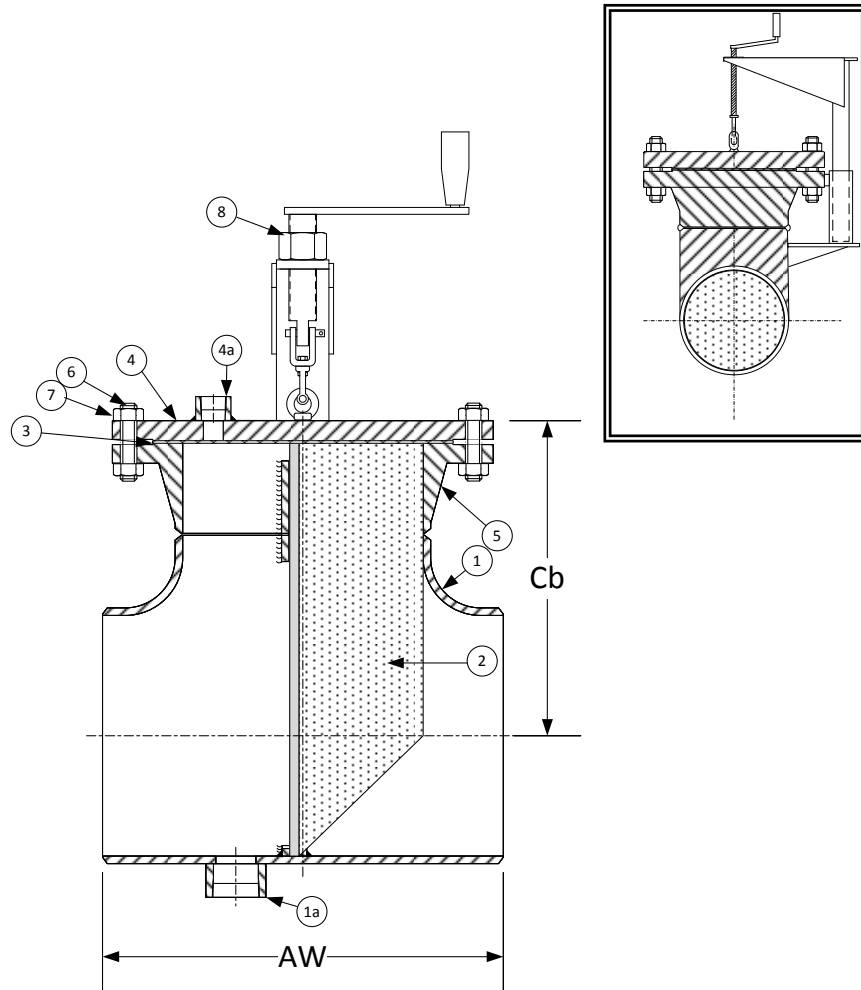


DRAWING NO.
AL 88660




| PARTS LIST | | |
|------------|----------------------------|--|
| ITEM | DESCRIPTION | MATERIAL |
| 1 | BODY | STAINLESS STEEL (ASTM A 403, CLASS WP-316) |
| 1a | COUPLING - HALF, 3000# NPT | STAINLESS STEEL (ASTM A 182, GRADE F-316) |
| 2 | BASKET | STAINLESS STEEL (304) - 1/8" PERFORATION |
| 3 | GASKET | FIBER |
| 4 | 150LB RF BLIND FLANGE | STAINLESS STEEL (ASTM A 182, GRADE F-316) |
| 4a | COUPLING - HALF, 3000# NPT | STAINLESS STEEL (ASTM A 182, GRADE F-316) |
| 5* | 150LB RFWN FLANGE | STAINLESS STEEL (ASTM A 182, GRADE F-316) B 16.5 |
| 6 | STUDS | ALLOY STEEL (ASTM A 193, GRADE B7) |
| 7 | NUTS | ALLOY STEEL (ASTM A 194, GRADE 2H) |
| 8 | LIFTING DAVIT COMPONENTS | STAINLESS STEEL (ASTM A 312 & ASTM A 240) |

*30" & Larger Flanges Are RFWN Series B.

| Product Numbers [†] | DIMENSIONS (in) | | | | | WEIGHT (lbs) | |
|------------------------------|-----------------|--------|--------|------|-------|--------------|-------|
| | SIZE | AW | Cb | Vent | Drain | Cover | Total |
| 22B4FT-F36125P34-FDB | 2" | 5 | 5-3/4 | 1/8 | 1/2 | 5 | 15 |
| 21/22B4FT-F36125P34-FDB | 2-1/2" | 6 | 6-5/8 | 1/8 | 1/2 | 7 | 23 |
| 32B4FT-F36125P34-FDB | 3" | 6-3/4 | 7-1/8 | 1/8 | 3/4 | 9 | 28 |
| 42B4FT-F36125P34-FDB | 4" | 8-1/4 | 8-1/8 | 1/2 | 3/4 | 17 | 43 |
| 52B4FT-F36125P34-FDB | 5" | 9-3/4 | 9-3/8 | 1/2 | 1 | 20 | 54 |
| 62B4FT-F36125P34-FDB | 6" | 11-1/4 | 10-1/8 | 1/2 | 2 | 27 | 74 |
| 82B4FT-F36125P34-FDB | 8" | 14 | 12-1/8 | 1/2 | 2 | 47 | 123 |
| 102B4FT-F36125P34-FDB | 10" | 17 | 13-3/4 | 1/2 | 2 | 70 | 181 |
| 122BSFT-F36125P34-FDB | 12" | 20 | 15-3/4 | 1/2 | 2 | 123 | 302 |
| 142BSFT-F36125P34-FDB | 14" | 22 | 17-3/8 | 1/2 | 2 | 140 | 419 |
| 162BSFT-F36125P34-FDB | 16" | 24 | 18-1/2 | 1/2 | 2 | 180 | 530 |
| 182BSFT-F36125P34-FDB | 18" | 27 | 20-5/8 | 1/2 | 2 | 220 | 660 |
| 202BSFT-F36125P34-FDB | 20" | 30 | 22-3/8 | 1/2 | 2 | 285 | 837 |
| 242BSFT-F36125P34-FDB | 24" | 34 | 24-7/8 | 1/2 | 2 | 430 | 1208 |
| 302BSFT-F36125P34-FDB | 30" | 44 | 27-7/8 | 1/2 | 2 | 543 | 1619 |

[†]See "Style T Product Number Configuration" for additional options.

| BODY PRESSURE & TEMPERATURE RATINGS - NON SHOCK | |
|---|-----------------|
| NOM. RATING | 2" to 30" |
| 150# Butt Weld | 275 PSI @ 100°F |

| | |
|---|-------------------------|
|  3400 CLEVELAND SKOKIE ILLINOIS | DRAWING NO. AL 88660 |
| | PART NO. |
| DIMENSIONAL ASSEMBLY | SCALE: NTS |
| 150lb. Sch. STD Butt Weld, Style TD, Fabricated 316ss Tee Strainer | DATE: 04/03/2017 |
| MAT'L: (As Noted Above) | DR. BY DSF |
| REQ. --- | |