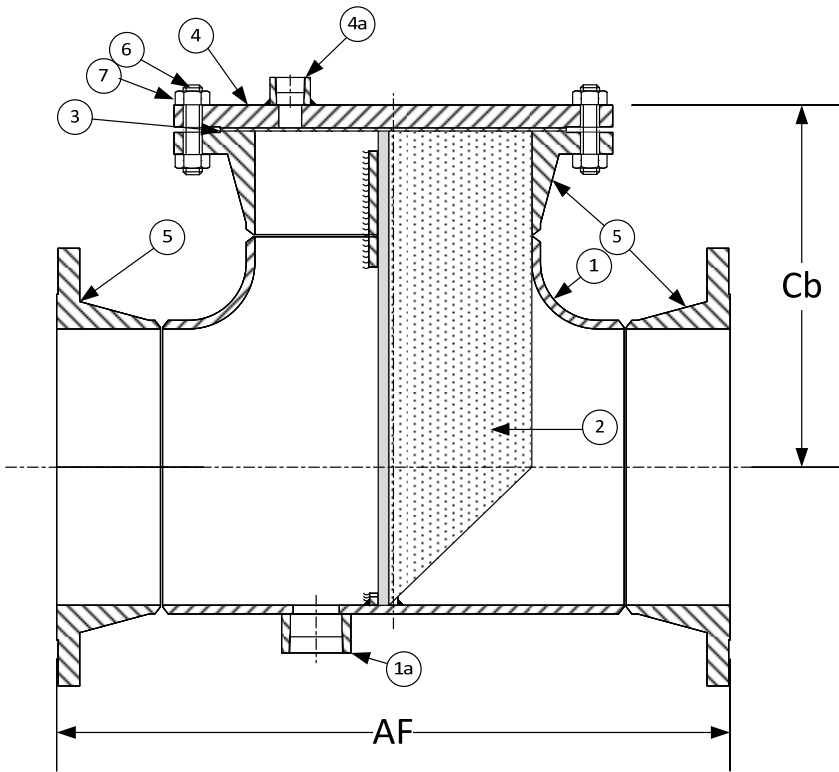


DRAWING NO.
AL 88160



PARTS LIST		
ITEM	DESCRIPTION	MATERIAL
1	BODY	STAINLESS STEEL (ASTM A 403, CLASS WP-304)
1a	COUPLING - HALF, 3000# NPT	STAINLESS STEEL (ASTM A 182, GRADE F-304)
2	BASKET	STAINLESS STEEL (304) - 1/8" PERFORATION
3	GASKET	FIBER
4	300LB RF BLIND FLANGE	STAINLESS STEEL (ASTM A 182, GRADE F-304)
4a	COUPLING - HALF, 3000# NPT	STAINLESS STEEL (ASTM A 182, GRADE F-304)
5*	300LB RFW FLANGE	STAINLESS STEEL (ASTM A 182, GRADE F-304) B 16.5
6	STUDS	ALLOY STEEL (ASTM A 193, GRADE B7)
7	NUTS	ALLOY STEEL (ASTM A 194, GRADE 2H)

*30" & Larger Flanges Are RFWN Series B.

Product Numbers [†]	DIMENSIONS (in)					WEIGHT (lbs)	
	SIZE	AF	Cb	Vent	Drain	Cover	Total
24RFFT-F34125P34-FBB	2"	10-1/2	6-1/8	1/8	1/2	8	39
21/24RFFT-F34125P34-FBB	2-1/2"	12	7	1/8	1/2	12	54
34RFFT-F34125P34-FBB	3"	13	7-5/8	1/8	3/4	16	78
44RFFT-F34125P34-FBB	4"	15	8-3/4	1/2	3/4	28	117
54RFFT-F34125P34-FBB	5"	17-1/2	10-1/8	1/2	1	37	158
64RFFT-F34125P34-FBB	6"	19	11	1/2	2	50	206
84RFFT-F34125P34-FBB	8"	22-3/4	13	1/2	2	81	322
104RFFT-F34125P34-FBB	10"	26-1/4	15	1/2	2	124	481
124RFFT-F34125P34-FBB	12"	30-1/4	17-1/8	1/2	2	185	702
144RFFT-F34125P34-FBB	14"	33-1/4	18-3/4	1/2	2	250	1033
164RFFT-F34125P34-FBB	16"	35-1/2	20	1/2	2	315	1275
184RFFT-F34125P34-FBB	18"	39-1/2	22-1/8	1/2	2	415	1735
204RFFT-F34125P34-FBB	20"	42-3/4	23-7/8	1/2	2	515	2165
244RFFT-F34125P34-FBB	24"	47-1/4	26-3/8	1/2	2	800	3170
304RFFT-F34125P34-FBB	30"	56-1/2	31-7/8	1/2	2	1249	4059

[†]See "Style T Product Number Configuration" for additional options.

BODY PRESSURE & TEMPERATURE RATINGS - NON SHOCK	
NOM. RATING	2" to 30"
300# RFWN	720 PSI @ 100°F

KECKLEY

3400 CLEVELAND SKOKIE ILLINOIS

DIMENSIONAL ASSEMBLY

300lb. Flg, Style T,

Fabricated 304ss Tee Strainer

MAT'L: (As Noted Above)

REQ. ---

DRAWING NO.

AL 88160

PART NO.

SCALE: NTS

DATE: 04/03/2017)

DR. BY DSF