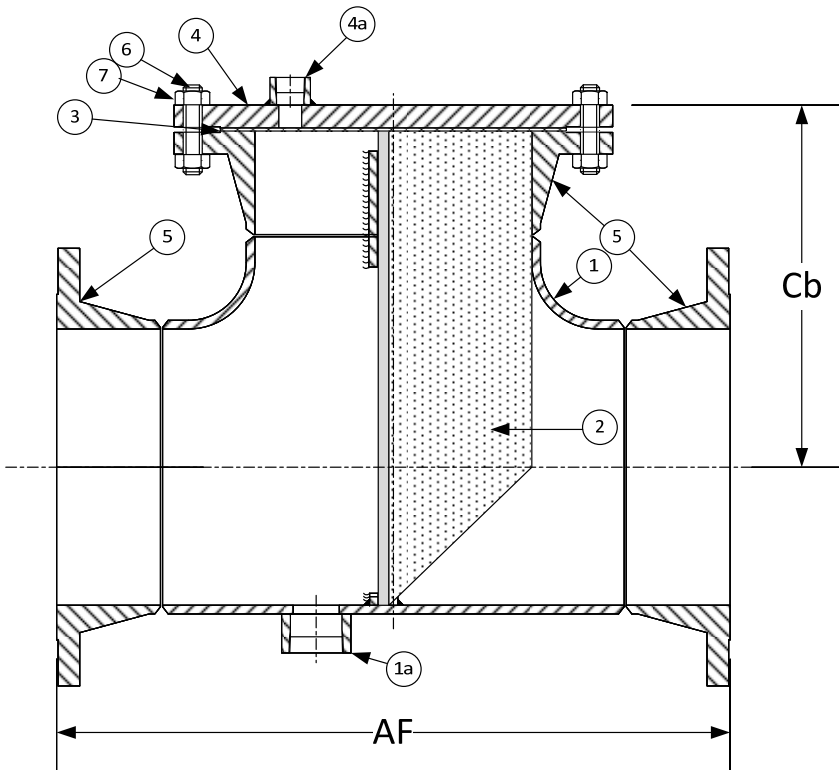


DRAWING NO.
AL 88040




PARTS LIST		
ITEM	DESCRIPTION	MATERIAL
1	BODY	FORGED CARBON STEEL (ASTM A 234, CLASS WPB)
1a	COUPLING - HALF, 3000# NPT	FORGED CARBON STEEL (ASTM A 105)
2	BASKET	STAINLESS STEEL (304) - 1/8" PERFORATION
3	GASKET	FIBER
4	300LB RF BLIND FLANGE	FORGED CARBON STEEL (ASTM A 105)
4a	COUPLING - HALF, 3000# NPT	FORGED CARBON STEEL (ASTM A 105)
5*	300LB RFWN FLANGE	FORGED CARBON STEEL (ASTM A 105) B 16.5
6	STUDS	ALLOY STEEL (ASTM A 193, GRADE B7)
7	NUTS	ALLOY STEEL (ASTM A 194, GRADE 2H)

*30" & Larger Flanges Are RFWN Series B.

Product Numbers [†]	DIMENSIONS (in)					WEIGHT (lbs)	
	SIZE	AF	Cb	Vent	Drain	Cover	Total
24RFFT-FCS125P34-FBB	2"	10-1/2	6-1/8	1/8	1/2	8	39
21/24RFFT-FCS125P34-FBB	2-1/2"	12	7	1/8	1/2	12	54
34RFFT-FCS125P34-FBB	3"	13	7-5/8	1/8	3/4	16	78
44RFFT-FCS125P34-FBB	4"	15	8-3/4	1/2	3/4	28	117
54RFFT-FCS125P34-FBB	5"	17-1/2	10-1/8	1/2	1	37	158
64RFFT-FCS125P34-FBB	6"	19	11	1/2	2	50	206
84RFFT-FCS125P34-FBB	8"	22-3/4	13	1/2	2	81	322
104RFFT-FCS125P34-FBB	10"	26-1/4	15	1/2	2	124	481
124RFFT-FCS125P34-FBB	12"	30-1/4	17-1/8	1/2	2	185	702
144RFFT-FCS125P34-FBB	14"	33-1/4	18-3/4	1/2	2	250	1033
164RFFT-FCS125P34-FBB	16"	35-1/2	20	1/2	2	315	1275
184RFFT-FCS125P34-FBB	18"	39-1/2	22-1/8	1/2	2	415	1735
204RFFT-FCS125P34-FBB	20"	42-3/4	23-7/8	1/2	2	515	2165
244RFFT-FCS125P34-FBB	24"	47-1/4	26-3/8	1/2	2	800	3170
304RFFT-FCS125P34-FBB	30"	56-1/2	31-7/8	1/2	2	1249	4059

[†]See "Style T Product Number Configuration" for additional options.

BODY PRESSURE & TEMPERATURE RATINGS - NON SHOCK	
NOM. RATING	2" to 30"
300# RFWN	740 PSI @ 100°F

 3400 CLEVELAND SKOKIE ILLINOIS	DRAWING NO. AL 88040
	PART NO.
DIMENSIONAL ASSEMBLY	SCALE: NTS
300lb. Flg, Style T, Fabricated Carbon Steel Tee Strainer	DATE: 04/03/2017
MAT'L: (As Noted Above)	DR. BY DSF
REQ. ---	