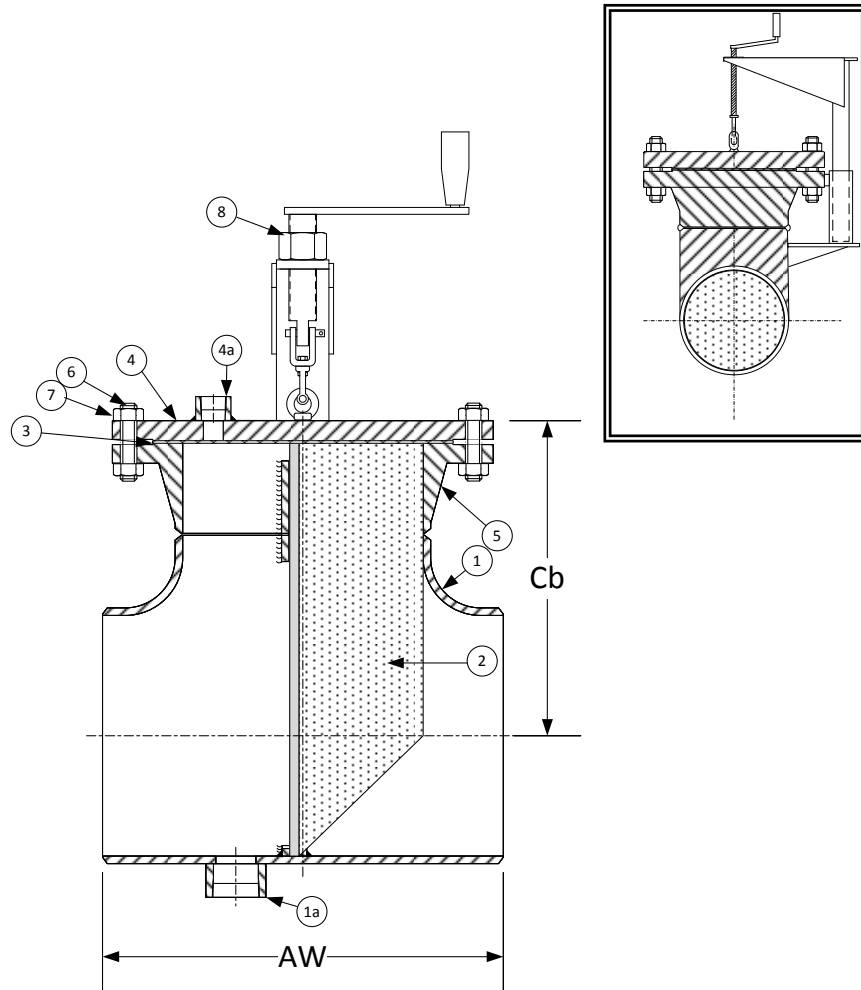


DRAWING NO.
AL 88700




PARTS LIST		
ITEM	DESCRIPTION	MATERIAL
1	BODY	STAINLESS STEEL (ASTM A 403, CLASS WP-316)
1a	COUPLING - HALF, 3000# NPT	STAINLESS STEEL (ASTM A 182, GRADE F-316)
2	BASKET	STAINLESS STEEL (304) - 1/8" PERFORATION
3	GASKET	FIBER
4	300LB RF BLIND FLANGE	STAINLESS STEEL (ASTM A 182, GRADE F-316)
4a	COUPLING - HALF, 3000# NPT	STAINLESS STEEL (ASTM A 182, GRADE F-316)
5*	300LB RFWN FLANGE	STAINLESS STEEL (ASTM A 182, GRADE F-316) B 16.5
6	STUDS	ALLOY STEEL (ASTM A 193, GRADE B7)
7	NUTS	ALLOY STEEL (ASTM A 194, GRADE 2H)
8	LIFTING DAVIT COMPONENT	STAINLESS STEEL (ASTM A 312 & ASTM A 240)

*30" & Larger Flanges Are RFWN Series B.

Product Numbers [†]	DIMENSIONS (in)					WEIGHT (lbs)	
	SIZE	AW	Cb	Vent	Drain	Cover	Total
24BSFT-F36125P34-FDB	2"	5	6-1/8	1/8	1/2	8	21
21/24BSFT-F36125P34-FDB	2-1/2"	6	7	1/8	1/2	12	30
34BSFT-F36125P34-FDB	3"	6-3/4	7-5/8	1/8	3/4	16	42
44BSFT-F36125P34-FDB	4"	8-1/4	8-3/4	1/2	3/4	28	64
54BSFT-F36125P34-FDB	5"	9-3/4	10-1/8	1/2	1	37	86
64BSFT-F36125P34-FDB	6"	11-1/4	11	1/2	2	50	116
84BSFT-F36125P34-FDB	8"	14	13	1/2	2	81	184
104BSFT-F36125P34-FDB	10"	17	15	1/2	2	124	281
124BSFT-F36125P34-FDB	12"	20	17-1/8	1/2	2	185	419
144BSFT-F36125P34-FDB	14"	22	18-3/4	1/2	2	250	621
164BSFT-F36125P34-FDB	16"	24	20	1/2	2	315	775
184BSFT-F36125P34-FDB	18"	27	22-1/8	1/2	2	415	1095
204BSFT-F36125P34-FDB	20"	30	23-7/8	1/2	2	515	1365
244BSFT-F36125P34-FDB	24"	34	26-3/8	1/2	2	800	2010
304BSFT-F36125P34-FDB	30"	44	31-7/8	1/2	2	1249	2959

[†]See "Style T Product Number Configuration" for additional options.

BODY PRESSURE & TEMPERATURE RATINGS - NON SHOCK	
NOM. RATING	2" to 30"
300# Butt Weld	720 PSI @ 100°F

 3400 CLEVELAND SKOKIE ILLINOIS	DRAWING NO. AL 88700
	PART NO.
DIMENSIONAL ASSEMBLY	SCALE: NTS
300lb. Butt Weld, Style TD, Fabricated 316ss Tee Strainer	DATE: 04/03/2017
MAT'L: (As Noted Above)	DR. BY DSF
REQ. ---	