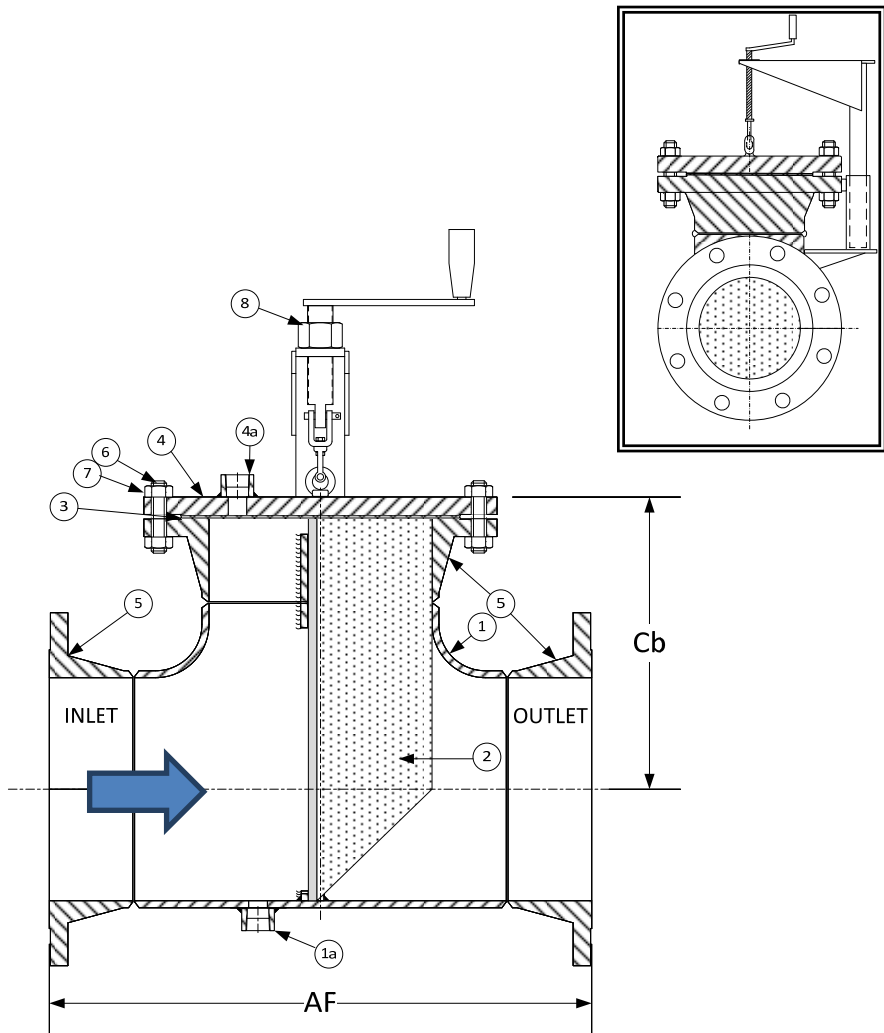


DRAWING NO.  
AL 88680




| PARTS LIST |                            |  |
|------------|----------------------------|--|
| ITEM       | DESCRIPTION                | MATERIAL   |
| 1          | BODY                       | STAINLESS STEEL (ASTM A 403, CLASS WP-316)       |
| 1a         | COUPLING - HALF, 3000# NPT | STAINLESS STEEL (ASTM A 182, GRADE F-316)        |
| 2          | BASKET                     | STAINLESS STEEL (304) - 1/8" PERFORATION         |
| 3          | GASKET                     | FIBER  |
| 4          | 300LB RF BLIND FLANGE      | STAINLESS STEEL (ASTM A 182, GRADE F-316)        |
| 4a         | COUPLING - HALF, 3000# NPT | STAINLESS STEEL (ASTM A 182, GRADE F-316)        |
| 5*         | 300LB RFWN FLANGE          | STAINLESS STEEL (ASTM A 182, GRADE F-316) B 16.5 |
| 6          | STUDS                      | ALLOY STEEL (ASTM A 193, GRADE B7)               |
| 7          | NUTS                       | ALLOY STEEL (ASTM A 194, GRADE 2H)               |
| 8          | LIFTING DAVIT COMPONENTS   | STAINLESS STEEL (ASTM A 312 & ASTM A 240)        |

\*30" & Larger Flanges Are RFWN Series B.

| Product Numbers <sup>†</sup> | DIMENSIONS (in) |        |        |      |       | WEIGHT (lbs) |       |
|------------------------------|-----------------|--------|--------|------|-------|--------------|-------|
|                              | SIZE            | AF     | Cb     | Vent | Drain | Cover        | Total |
| 24RFFT-F36125P34-FDB         | 2"              | 10-1/2 | 6-1/8  | 1/8  | 1/2   | 8            | 39    |
| 21/24RFFT-F36125P34-FDB      | 2-1/2"          | 12     | 7      | 1/8  | 1/2   | 12           | 54    |
| 34RFFT-F36125P34-FDB         | 3"              | 13     | 7-5/8  | 1/8  | 3/4   | 16           | 78    |
| 44RFFT-F36125P34-FDB         | 4"              | 15     | 8-3/4  | 1/2  | 3/4   | 28           | 117   |
| 54RFFT-F36125P34-FDB         | 5"              | 17-1/2 | 10-1/8 | 1/2  | 1     | 37           | 158   |
| 64RFFT-F36125P34-FDB         | 6"              | 19     | 11     | 1/2  | 2     | 50           | 206   |
| 84RFFT-F36125P34-FDB         | 8"              | 22-3/4 | 13     | 1/2  | 2     | 81           | 322   |
| 104RFFT-F36125P34-FDB        | 10"             | 26-1/4 | 15     | 1/2  | 2     | 124          | 481   |
| 124RFFT-F36125P34-FDB        | 12"             | 30-1/4 | 17-1/8 | 1/2  | 2     | 185          | 702   |
| 144RFFT-F36125P34-FDB        | 14"             | 33-1/4 | 18-3/4 | 1/2  | 2     | 250          | 1033  |
| 164RFFT-F36125P34-FDB        | 16"             | 35-1/2 | 20     | 1/2  | 2     | 315          | 1275  |
| 184RFFT-F36125P34-FDB        | 18"             | 39-1/2 | 22-1/8 | 1/2  | 2     | 415          | 1735  |
| 204RFFT-F36125P34-FDB        | 20"             | 42-3/4 | 23-7/8 | 1/2  | 2     | 515          | 2165  |
| 244RFFT-F36125P34-FDB        | 24"             | 47-1/4 | 26-3/8 | 1/2  | 2     | 800          | 3170  |
| 304RFFT-F36125P34-FDB        | 30"             | 56-1/2 | 31-7/8 | 1/2  | 2     | 1249         | 4059  |

<sup>†</sup>See "Style T Product Number Configuration" for additional options.

| BODY PRESSURE & TEMPERATURE RATINGS - NON SHOCK |                 |
|---|-----------------|
| NOM. RATING                                     | 2" to 30"       |
| 300# RFWN                                       | 720 PSI @ 100°F |

|   |                         |
|---|-------------------------|
| <br>3400 CLEVELAND SKOKIE ILLINOIS | DRAWING NO.<br>AL 88680 |
|   | PART NO.                |
| DIMENSIONAL ASSEMBLY  | SCALE: NTS              |
| 300lb. Flg, Style TD,<br>Fabricated 316ss Tee Strainer  | DATE: 04/03/2017        |
| MAT'L: (As Noted Above)   | DR. BY DSF              |
| REQ. ---  |                         |