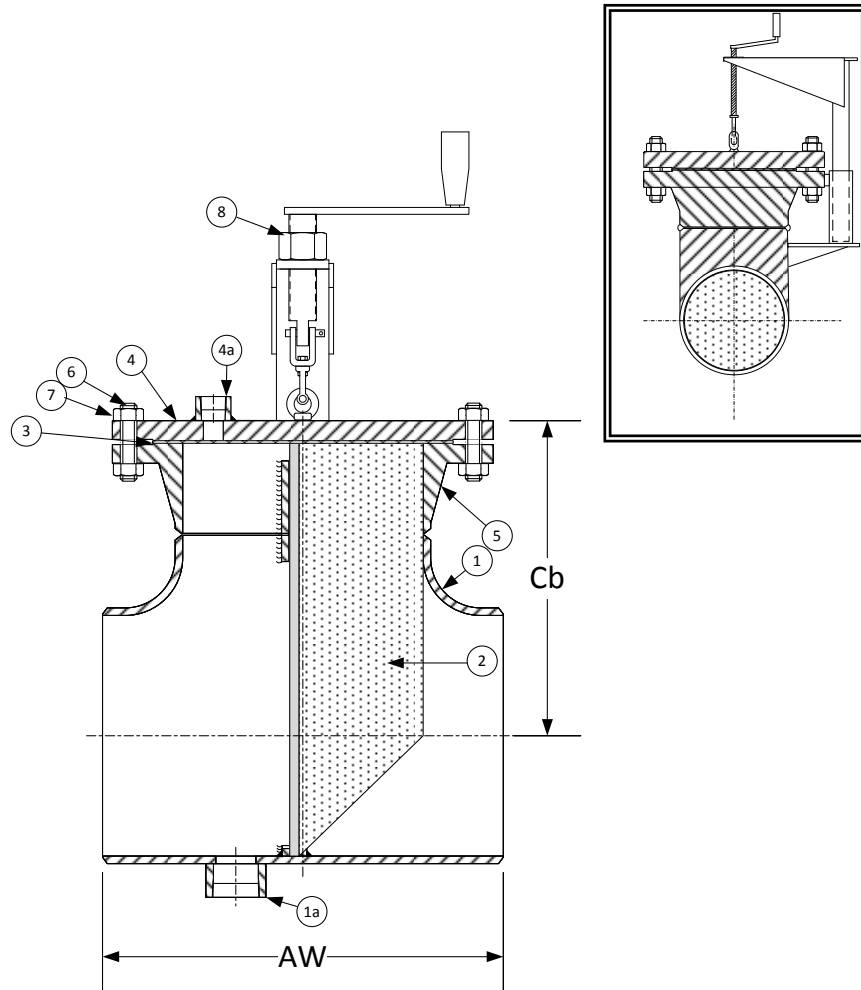


DRAWING NO.
AL 88460




PARTS LIST		
ITEM	DESCRIPTION	MATERIAL
1	BODY	FORGED CARBON STEEL (ASTM A 234, CLASS WPB)
1a	COUPLING - HALF, 3000# NPT	FORGED CARBON STEEL (ASTM A 105)
2	BASKET	STAINLESS STEEL (304) - 1/8" PERFORATION
3	GASKET	FIBER
4	300LB RF BLIND FLANGE	FORGED CARBON STEEL (ASTM A 105)
4a	COUPLING - HALF, 3000# NPT	FORGED CARBON STEEL (ASTM A 105)
5*	300LB RFWN FLANGE	FORGED CARBON STEEL (ASTM A 105) B 16.5
6	STUDS	ALLOY STEEL (ASTM A 193, GRADE B7)
7	NUTS	ALLOY STEEL (ASTM A 194, GRADE 2H)
8	LIFTING DAVIT COMPONENT	CARBON STEEL (ASTM A 53 & ASTM A 36)

*30" & Larger Flanges Are RFWN Series B.

Product Numbers [†]	DIMENSIONS (in)					WEIGHT (lbs)	
	SIZE	AW	Cb	Vent	Drain	Cover	Total
24BSFT-FCS125P34-FDB	2"	5	6-1/8	1/8	1/2	8	21
21/24BSFT-FCS125P34-FDB	2-1/2"	6	7	1/8	1/2	12	30
34BSFT-FCS125P34-FDB	3"	6-3/4	7-5/8	1/8	3/4	16	42
44BSFT-FCS125P34-FDB	4"	8-1/4	8-3/4	1/2	3/4	28	64
54BSFT-FCS125P34-FDB	5"	9-3/4	10-1/8	1/2	1	37	86
64BSFT-FCS125P34-FDB	6"	11-1/4	11	1/2	2	50	116
84BSFT-FCS125P34-FDB	8"	14	13	1/2	2	81	184
104BSFT-FCS125P34-FDB	10"	17	15	1/2	2	124	281
124BSFT-FCS125P34-FDB	12"	20	17-1/8	1/2	2	185	418
144BSFT-FCS125P34-FDB	14"	22	18-3/4	1/2	2	250	621
164BSFT-FCS125P34-FDB	16"	24	20	1/2	2	315	775
184BSFT-FCS125P34-FDB	18"	27	22-1/8	1/2	2	415	1095
204BSFT-FCS125P34-FDB	20"	30	23-7/8	1/2	2	515	1365
244BSFT-FCS125P34-FDB	24"	34	26-3/8	1/2	2	800	2010
304BSFT-FCS125P34-FDB	30"	44	31-7/8	1/2	2	1249	2959

[†]See "Style T Product Number Configuration" for additional options.

BODY PRESSURE & TEMPERATURE RATINGS - NON SHOCK	
NOM. RATING	2" to 30"
300# Butt Weld	740 PSI @ 100°F

 3400 CLEVELAND SKOKIE ILLINOIS	DRAWING NO. AL 88460
	PART NO.
DIMENSIONAL ASSEMBLY	SCALE: NTS
300lb. Butt Weld, Style TD, Fabricated Carbon Steel Tee Strainer	DATE: 04/03/2017
MAT'L: (As Noted Above)	DR. BY DSF
REQ. ---	