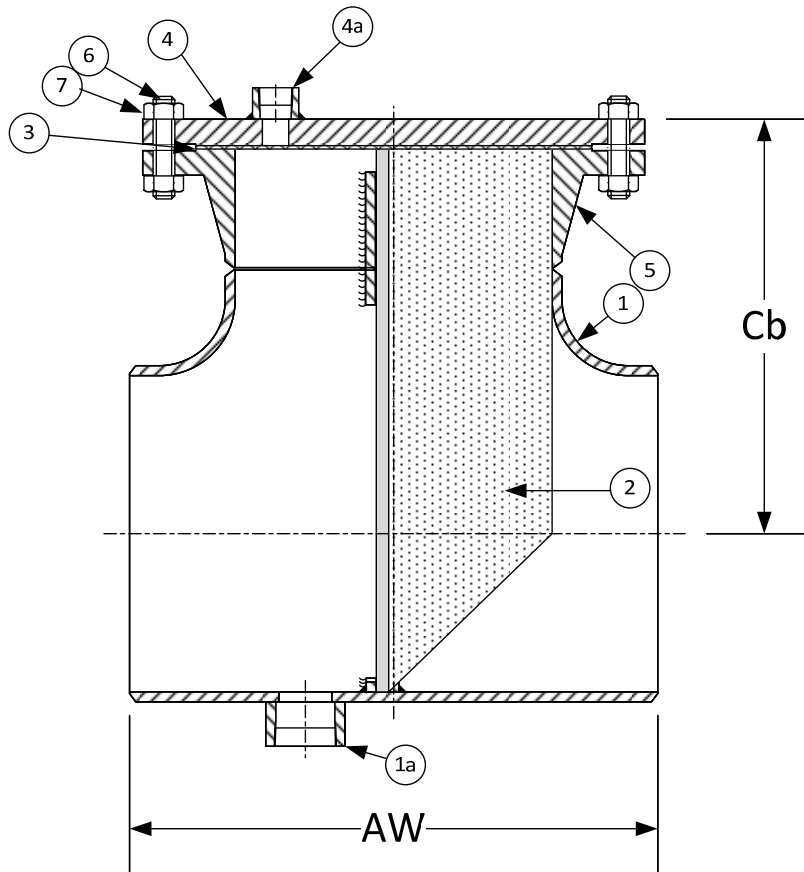


DRAWING NO.  
AL 88340



PARTS LIST		
ITEM	DESCRIPTION	MATERIAL
1	BODY	STAINLESS STEEL (ASTM A 403, CLASS WP-316)
1a	COUPLING - HALF, 6000# NPT	STAINLESS STEEL (ASTM A 182, GRADE F-316)
2	BASKET	STAINLESS STEEL (304) - 1/8" PERFORATION
3	GASKET	SPIRAL WOUND STAINLESS STEEL (304) - GRAPHITE FILLED
4	600LB RF BLIND FLANGE	STAINLESS STEEL (ASTM A 182, GRADE F-316)
4a	COUPLING - HALF, 6000# NPT	STAINLESS STEEL (ASTM A 182, GRADE F-316)
5	600LB RFWN FLANGE	STAINLESS STEEL (ASTM A 182, GRADE F-316) B 16.5
6	STUDS	ALLOY STEEL (ASTM A 193, GRADE B7)
7	NUTS	ALLOY STEEL (ASTM A 194, GRADE 2H)

Product Numbers <sup>†</sup>	DIMENSIONS (in)					WEIGHT (lbs)	
	SIZE	AW	Cb	Vent	Drain	Cover	Total
25BSFT-F36125P34-GBB	2"	5	6-7/8	1/8	1/2	10	26
21/25BSFT-F36125P34-GBB	2-1/2"	6	7-3/4	1/8	1/2	15	39
35BSFT-F36125P34-GBB	3"	6-3/4	8-3/8	1/8	3/4	20	51
45BSFT-F36125P34-GBB	4"	8-1/4	10-1/8	1/2	3/4	41	93
55BSFT-F36125P34-GBB	5"	9-3/4	11-5/8	1/2	1	68	149
65BSFT-F36125P34-GBB	6"	11-1/4	12-5/8	1/2	2	86	188
85BXFT-F36125P34-GBB	8"	14	15	1/2	2	140	337
105BXFT-F36125P34-GBB	10"	17	17-1/2	1/2	2	231	541
125BXFT-F36125P34-GBB	12"	20	19-1/4	1/2	2	295	696
145B6FT-F36125P34-GBB	14"	22	20-3/4	1/2	2	378	1022
165B6FT-F36125P34-GBB	16"	24	22-1/2	1/2	2	527	1363
185B6FT-F36125P34-GBB	18"	27	24-1/2	1/2	2	665	1662
205B6FT-F36125P34-GBB	20"	30	26-1/2	1/2	2	855	2098
245B6FT-F36125P34-GBB	24"	34	29-1/2	1/2	2	1250	3009

<sup>†</sup>See "Style T Product Number Configuration" for additional options.

BODY PRESSURE & TEMPERATURE RATINGS - NON SHOCK	
NOM. RATING	2" to 24"
600# Butt Weld	1440 PSI @ 100°F

**KECKLEY**

3400 CLEVELAND SKOKIE ILLINOIS

DRAWING NO.  
AL 88340

DIMENSIONAL ASSEMBLY

PART NO.

600lb. Butt Weld, Style T,

SCALE: NTS

Fabricated 316ss Tee Strainer

DATE: 04/03/2017

MAT'L: (As Noted Above)

REQ. ---

DR. BY DSF