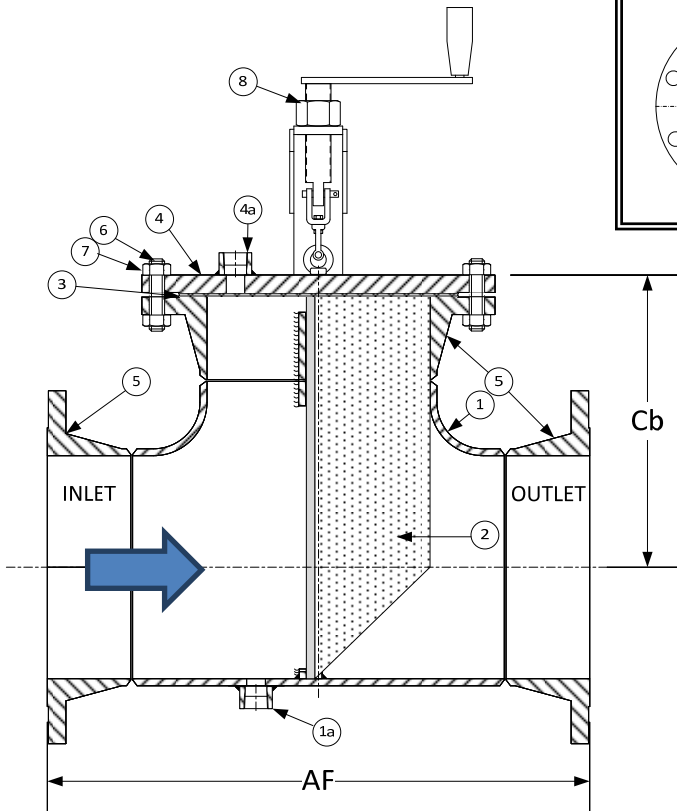
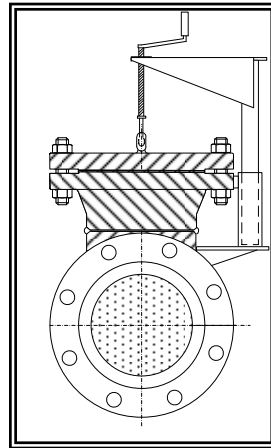


DRAWING NO.  
AL 88480



PARTS LIST		
ITEM	DESCRIPTION	MATERIAL
1	BODY	FORGED CARBON STEEL (ASTM A 234, CLASS WPB)
1a	COUPLING - HALF, 6000# NPT	FORGED CARBON STEEL (ASTM A 105)
2	BASKET	STAINLESS STEEL (304) - 1/8" PERFORATION
3	GASKET	SPIRAL WOUND STAINLESS STEEL (304) - GRAPHITE FILLED
4	600LB RF BLIND FLANGE	FORGED CARBON STEEL (ASTM A 105)
4a	COUPLING - HALF, 6000# NPT	FORGED CARBON STEEL (ASTM A 105)
5	600LB RFWN FLANGE	FORGED CARBON STEEL (ASTM A 105) B 16.5
6	STUDS	ALLOY STEEL (ASTM A 193, GRADE B7)
7	NUTS	ALLOY STEEL (ASTM A 194, GRADE 2H)
8	LIFTING DAVIT COMPONENTS	CARBON STEEL (ASTM A 53 & ASTM A 36)

Product Numbers <sup>†</sup>	DIMENSIONS (in)					WEIGHT (lbs)	
	SIZE	AF	Cb	Vent	Drain	Cover	Total
25RFFT-FCS125P34-GDB	2"	11-1/4	6-7/8	1/8	1/2	10	50
21/25RFFT-FCS125P34-GDB	2-1/2"	12-3/4	7-3/4	1/8	1/2	15	75
35RFFT-FCS125P34-GDB	3"	13-3/4	8-3/8	1/8	3/4	20	97
45RFFT-FCS125P34-GDB	4"	16-3/4	10-1/8	1/2	3/4	41	177
55RFFT-FCS125P34-GDB	5"	19-1/4	11-5/8	1/2	1	68	285
65RFFT-FCS125P34-GDB	6"	21	12-5/8	1/2	2	86	350
85RFFT-FCS125P34-GDB	8"	25	15	1/2	2	140	577
105RFFT-FCS125P34-GDB	10"	30	17-1/2	1/2	2	231	921
125RFFT-FCS125P34-GDB	12"	32-3/4	19-1/4	1/2	2	295	1148
145RFFT-FCS125P34-GDB	14"	35-1/2	20-3/4	1/2	2	378	1716
165RFFT-FCS125P34-GDB	16"	38-1/2	22-1/2	1/2	2	527	2325
185RFFT-FCS125P34-GDB	18"	42	24-1/2	1/2	2	665	2772
205RFFT-FCS125P34-GDB	20"	45-1/2	26-1/2	1/2	2	855	3478
245RFFT-FCS125P34-GDB	24"	50-1/2	29-1/2	1/2	2	1250	4963

<sup>†</sup>See "Style T Product Number Configuration" for additional options.

BODY PRESSURE & TEMPERATURE RATINGS - NON SHOCK	
NOM. RATING	2" to 24"
600# RFWN	1480 PSI @ 100°F

**KECKLEY**

3400 CLEVELAND SKOKIE ILLINOIS

DRAWING NO.  
AL 88480

DIMENSIONAL ASSEMBLY

PART NO.

600lb. Flg, Style TD,

SCALE: NTS

Fabricated Carbon Steel Tee Strainer

DATE: 04/03/2017

MAT'L: (As Noted Above)

REQ. ---

DR. BY DSF