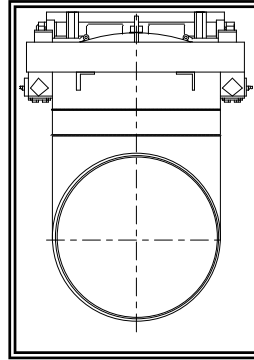
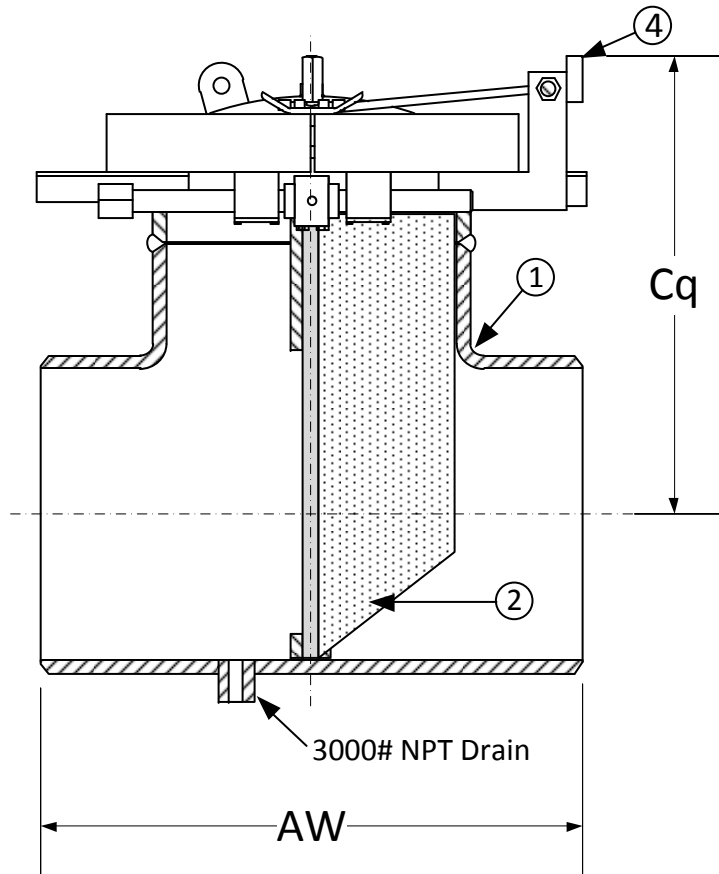


DRAWING NO.  
AL 89020



BODY PRESSURE & TEMPERATURE RATINGS – NON SHOCK	
NOM. RATING	8" to 24"
600# BUTT WELD	1440 PSI @ 100°F

PARTS LIST		
ITEM	DESCRIPTION	MATERIAL
1	BODY	STAINLESS STEEL (ASTM A 403, CLASS WP-304)
2	BASKET	STAINLESS STEEL (304) – 1/8" PERFORATION
3*	O-RING	VITON
4	600LB DOUBLE BOLT COVER	STAINLESS STEEL (ASTM A 240, GRADE 304)

\*Viton o-ring good for temperatures up to 400°F. For higher temperatures up to 450°F, consult factory.

Product Numbers†	DIMENSIONS (in)					WEIGHT (lbs)	
	SIZE	AW	Cq	Vent	Drain	Cover	Total
85B8FT-F34125P34-VOQB	8"	14	15-3/4	1/2	1-1/2	90	167
105B8FT-F34125P34-VOQB	10"	17	18	1/2	1-1/2	160	280
125B8FT-F34125P34-VOQB	12"	20	21	1/2	1-1/2	190	365
145B6FT-F34125P34-VOQB	14"	22	22-5/16	1/2	2	230	527
165B6FT-F34125P34-VOQB	16"	24	25-1/16	1/2	2	360	715
185B6FT-F34125P34-VOQB	18"	27	26-15/16	1/2	2	500	942
205B6FT-F34125P34-VOQB	20"	30	33-11/16	1/2	2	840	1393
245B6FT-F34125P34-VOQB	24"	34	37-5/8	1/2	2	930	1712

†See "Style T Product Number Configuration" for additional options.

**KECKLEY**

3400 CLEVELAND SKOKIE ILLINOIS

DRAWING NO.  
AL 89020

DIMENSIONAL ASSEMBLY

PART NO.

600lb. Butt Weld, Style TQ, Double-Bolt Cover

SCALE: NTS

Fabricated 304ss Tee Strainer

DATE: 07/01/2011

MAT'L: Fabricated 304ss

REQ. ---

DR. BY DSF