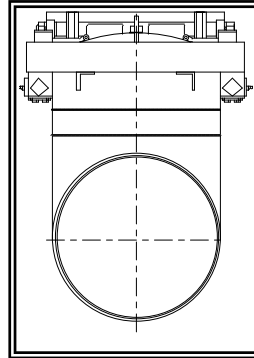
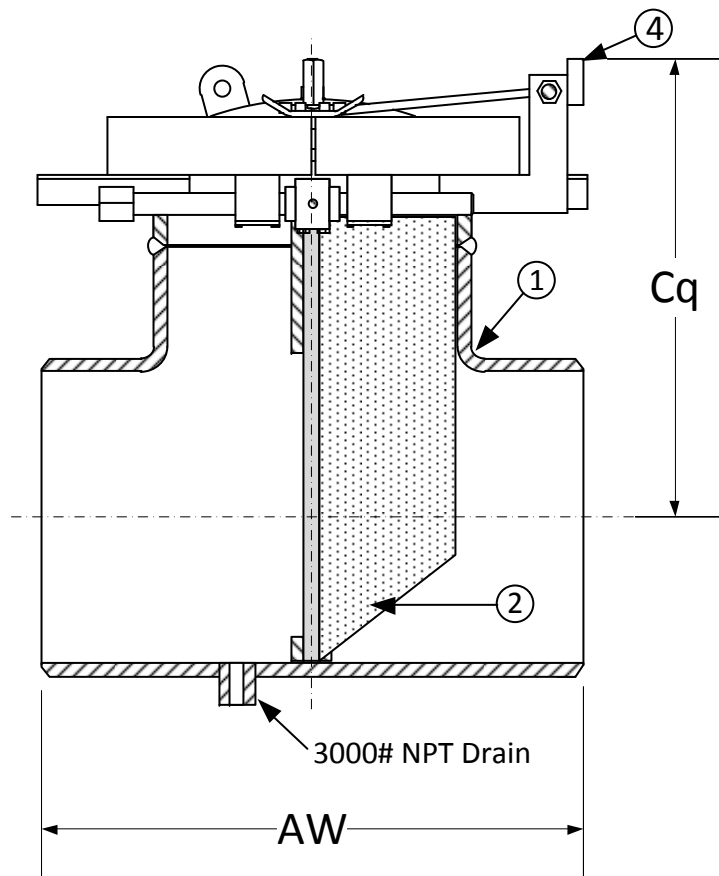


DRAWING NO.
AL 89140



BODY PRESSURE & TEMPERATURE RATINGS – NON SHOCK		
NOM. RATING	MEDIA	8" to 24"
600# BUTT WELD	STEAM	___ PSI @ ___ °F
	W.O.G.	___ PSI @ ___ °F

PARTS LIST		
ITEM	DESCRIPTION	MATERIAL
1	BODY	STAINLESS STEEL (ASTM A 403, CLASS WP-316)
2	BASKET	STAINLESS STEEL (304) – 1/8" PERFORATION
3	O-RING	VITON
4	600LB DOUBLE BOLT COVER	STAINLESS STEEL (ASTM A 240, GRADE 316)

Product Numbers†	DIMENSIONS (in)					WEIGHT (lbs)	
	SIZE	AW	Cq	Vent	Drain	Cover	Total
85B8FT-F36125P34-VOQB	8"	14	15-3/4	1/2	1-1/2		167
105B8FT-F36125P34-VOQB	10"	17	18	1/2	1-1/2		280
125B8FT-F36125P34-VOQB	12"	20	21	1/2	1-1/2		365
145B6FT-F36125P34-VOQB	14"	22	22-5/16	1/2	2		527
165B6FT-F36125P34-VOQB	16"	24	25-1/16	1/2	2		715
185B6FT-F36125P34-VOQB	18"	27	26-15/16	1/2	2		942
205B6FT-F36125P34-VOQB	20"	30	33-11/16	1/2	2		1393
245B6FT-F36125P34-VOQB	24"	34	37-5/8	1/2	2		1712

†See "Style T Product Number Configuration" for additional options.

KECKLEY

3400 CLEVELAND SKOKIE ILLINOIS

DRAWING NO.
AL 89140

DIMENSIONAL ASSEMBLY

PART NO.

600lb. Butt Weld, Style TQ, Double-Bolt Cover

SCALE: NTS

Fabricated 316ss Tee Strainer

DATE: 07/01/2011

MAT'L: Fabricated 316ss

REQ. ---

DR. BY DSF