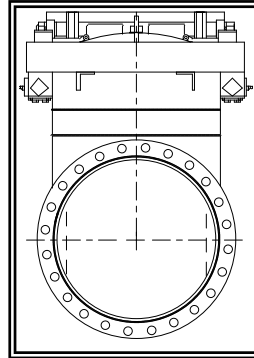
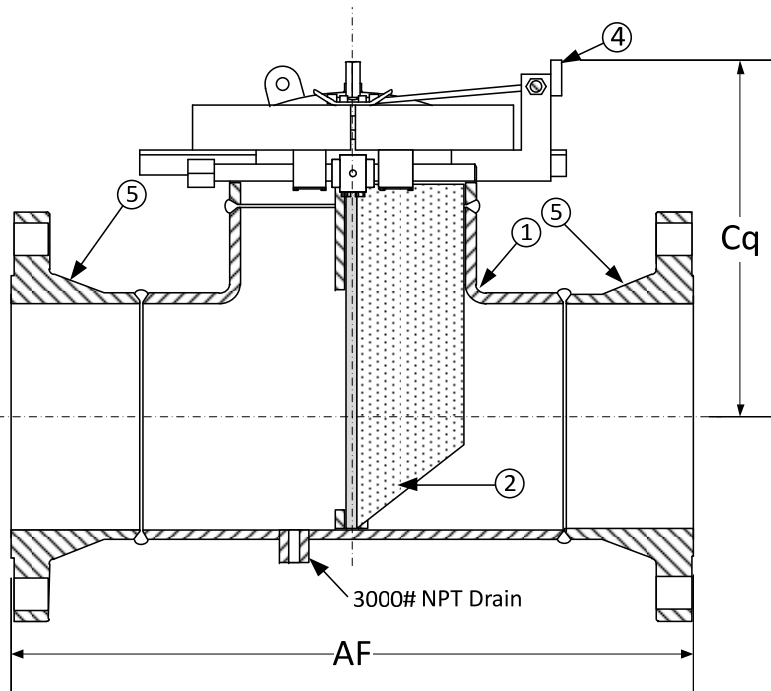


DRAWING NO.
AL 88880




BODY PRESSURE & TEMPERATURE RATINGS – NON SHOCK	
NOM. RATING	8" to 24"
600# RFWN	1480 PSI @ 100°F

PARTS LIST		
ITEM	DESCRIPTION	MATERIAL
1	BODY	FORGED CARBON STEEL (ASTM A 234, CLASS WPB)
2	BASKET	STAINLESS STEEL (304) – 1/8" PERFORATION
3*	O-RING	VITON
4	600LB DOUBLE BOLT COVER	CARBON STEEL (ASTM A 516, GRADE 70)
5	600LB WELD NECK FLANGES	FORGED CARBON STEEL (ASTM A 105) B 16.5

*Viton o-ring good for temperatures up to 400°F. For higher temperatures up to 450°F, consult factory.

Product Numbers†	DIMENSIONS (in)					WEIGHT (lbs)	
	SIZE	AF	Cq	Vent	Drain	Cover	Total
85RFFT-FCS125P34-VOQB	8"	25	15-3/4	1/2	1-1/2	90	407
105RFFT-FCS125P34-VOQB	10"	30	18	1/2	1-1/2	160	660
125RFFT-FCS125P34-VOQB	12"	32-3/4	21	1/2	1-1/2	190	817
145RFFT-FCS125P34-VOQB	14"	35-1/2	22-5/16	1/2	2	230	1221
165RFFT-FCS125P34-VOQB	16"	38-1/2	25-1/16	1/2	2	360	1677
185RFFT-FCS125P34-VOQB	18"	42	26-15/16	1/2	2	500	2052
205RFFT-FCS125P34-VOQB	20"	45-1/2	33-11/16	1/2	2	840	2773
245RFFT-FCS125P34-VOQB	24"	50-1/2	37-5/8	1/2	2	930	3666

†See "Style T Product Number Configuration" for additional options.

 3400 CLEVELAND SKOKIE ILLINOIS	DRAWING NO. AL 88880
	PART NO.
DIMENSIONAL ASSEMBLY	SCALE: NTS
600lb. Flg, Style T, Fabricated Carbon Steel Tee Strainer	DATE: 07/01/2011
MAT'L: Fabricated Carbon Steel	REQ. --- DR. BY DSF