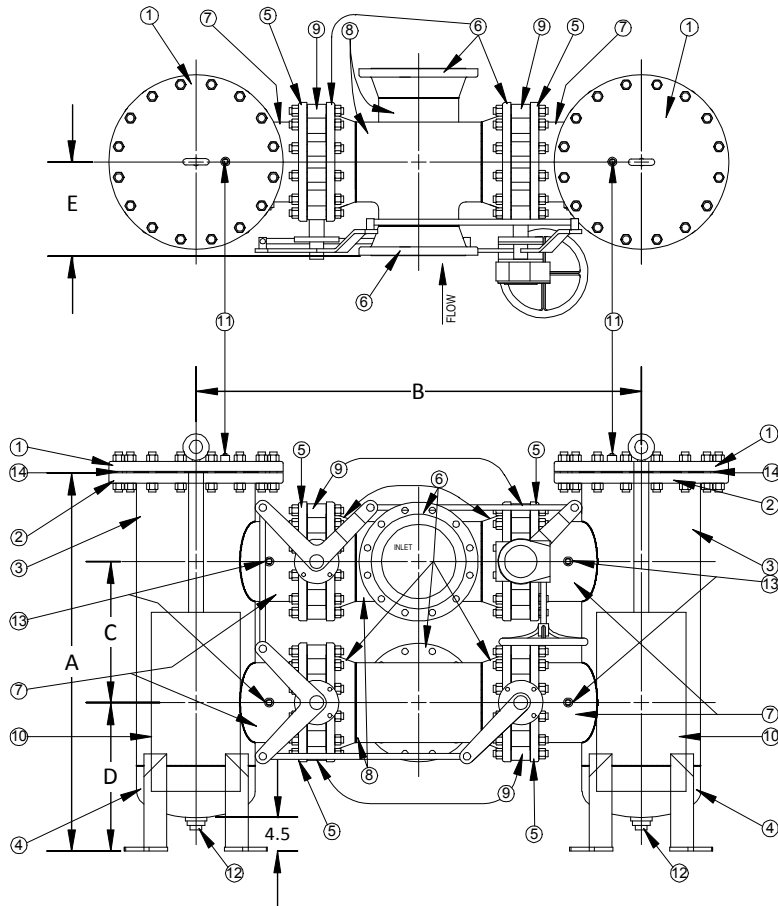


DRAWING NO.  
AL 94000



**BODY PRESSURE & TEMPERATURE RATINGS – NON SHOCK**

<b>NOM. RATING</b>	<b>2" to 24"</b>
150# RFWN	285 PSI @ 100°F


Product Number†	DIMENSIONS (in)								
	SIZE	A	B	C	D	E	Vent	Drain	Weight (lbs)
22RFFD-FCS125P34-FBB	2	25	26	9	10	5	1/2	1/2	214
21/22RFFD-FCS125P34-FBB	2-1/2	28	29	10	11-1/2	5-3/4	1/2	1/2	270
32RFFD-FCS125P34-FBB	3	32	30	10	13	6-1/8	1/2	3/4	376
42RFFD-FCS125P34-FBB	4	34	38	12	14	7-1/8	1/2	3/4	673
52RFFD-FCS125P34-FBB	5	36	42	13	14	8-3/8	1/2	1	801
62RFFD-FCS125P34-FBB	6	39	46	14	15	9-1/8	1/2	2	973
82RFFD-FCS125P34-FBB	8	44	54	16	17	11	1/2	2	1393
102RFFD-FCS125P34-FBB	10	51	60	19	20	12-1/2	1/2	2	2123
122RFFD-FCS125P34-FBB	12	60	67	23	24	14-1/2	1/2	2	2829
142RFFD-FCS125P34-FBB	14	62	74	24	24	16	1/2	2	3579
162RFFD-FCS125P34-FBB	16	69	80	27	27	17	1/2	2	5003
182RFFD-FCS125P34-FBB	18	72	85	28	27	19	1/2	2	5441
202RFFD-FCS125P34-FBB	20	76	95	31	28	20-3/4	1/2	2	7556
242RFFD-FCS125P34-FBB	24	93	104	35	30	23	1/2	2	9762

†See "Style FD Product Number Configuration" for additional options.

**PARTS LIST**

Item	Description	Material
1	150lb. Blind Covers	Carbon Steel (ASTM A 105)
2	150lb. Slip-On Flange	Carbon Steel (ASTM A 105)
3	Standard Weight Pipe	Carbon Steel (ASTM A 53)
4	Standard Weight End Cap	Carbon Steel (ASTM A 234, Grade WPB)
5	150lb. Slip-On Flange	Carbon Steel (ASTM A 105)
6	150lb. Weld-Neck Flange	Carbon Steel (ASTM A 105)
7	Standard Weight Pipe	Carbon Steel (ASTM A 53)
8	Standard Weight Tee	Carbon Steel (ASTM A 234, Grade WPB)
9	Butterfly Valves	Cast Iron Body / Ductile Iron Nickel Coated Discs – Buna-n Seats / Single Gear Operator
10	Baskets	Stainless Steel (304) – 1/8" Perforations
11	Air Vent	3000# NPT CS half Coupling (ASTM A 105)
12	Drain Connection	3000# NPT CS half Coupling (ASTM A 105)
13	Differential Pressure Taps	3000# NPT CS half Coupling (ASTM A 105)
14	Cover Gasket	Fiber

\*Buna-n o-ring good for temperatures up to 250°F. For higher temperatures, consult Factory.

 3400 CLEVELAND SKOKIE ILLINOIS	DRAWING NO. AL 94000
	PART NO.
DIMENSIONAL ASSEMBLY	SCALE: NTS
150Lb. Flange Style FSDPXF	DATE: 07/01/2011
Fabricated Duplex Basket Strainer	DR. BY DSF
MAT'L: Fabricated Carbon Steel	REQ. ---