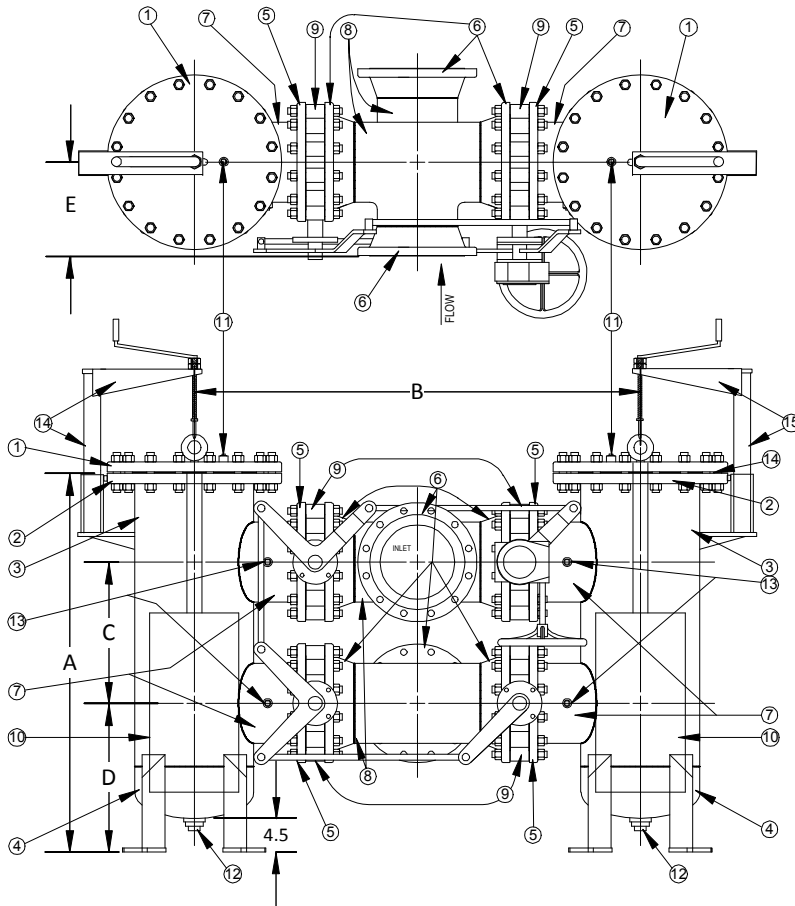


DRAWING NO.
AL 94700

BODY PRESSURE & TEMPERATURE RATINGS – NON SHOCK

| | |
|--------------------|------------------|
| NOM. RATING | 2" to 24" |
| 150# RFWN | 275 PSI @ 100°F |




| Product Number† | DIMENSIONS (in) | | | | | | | | |
|-------------------------|-----------------|----|-----|----|--------|--------|------|-------|--------------|
| | SIZE | A | B | C | D | E | Vent | Drain | Weight (lbs) |
| 22RFFD-F36125P34-FBB | 2 | 25 | 26 | 9 | 10 | 5 | 1/2 | 1/2 | 214 |
| 21/22RFFD-F36125P34-FBB | 2-1/2 | 28 | 29 | 10 | 11-1/2 | 5-3/4 | 1/2 | 1/2 | 270 |
| 32RFFD-F36125P34-FBB | 3 | 32 | 30 | 10 | 13 | 6-1/8 | 1/2 | 3/4 | 376 |
| 42RFFD-F36125P34-FBB | 4 | 34 | 38 | 12 | 14 | 7-1/8 | 1/2 | 3/4 | 673 |
| 52RFFD-F36125P34-FBB | 5 | 36 | 42 | 13 | 14 | 8-3/8 | 1/2 | 1 | 801 |
| 62RFFD-F36125P34-FBB | 6 | 39 | 46 | 14 | 15 | 9-1/8 | 1/2 | 2 | 973 |
| 82RFFD-F36125P34-FBB | 8 | 44 | 54 | 16 | 17 | 11 | 1/2 | 2 | 1393 |
| 102RFFD-F36125P34-FBB | 10 | 51 | 60 | 19 | 20 | 12-1/2 | 1/2 | 2 | 2123 |
| 122RFFD-F36125P34-FBB | 12 | 60 | 67 | 23 | 24 | 14-1/2 | 1/2 | 2 | 2829 |
| 142RFFD-F36125P34-FBB | 14 | 62 | 74 | 24 | 24 | 16 | 1/2 | 2 | 3579 |
| 162RFFD-F36125P34-FBB | 16 | 69 | 80 | 27 | 27 | 17 | 1/2 | 2 | 5003 |
| 182RFFD-F36125P34-FBB | 18 | 72 | 85 | 28 | 27 | 19 | 1/2 | 2 | 5441 |
| 202RFFD-F36125P34-FBB | 20 | 76 | 95 | 31 | 28 | 20-3/4 | 1/2 | 2 | 7556 |
| 242RFFD-F36125P34-FBB | 24 | 93 | 104 | 35 | 30 | 23 | 1/2 | 2 | 9762 |

†See "Style FD Product Number Configuration" for additional options.

PARTS LIST

| Item | Description | Material |
|------|----------------------------|--|
| 1 | 150lb. Blind Covers | Stainless Steel (ASTM A 182, Grade F-316) |
| 2 | 150lb. Slip-On Flange | Stainless Steel (ASTM A 182, Grade F-316) |
| 3 | Standard Weight Pipe | Stainless Steel (ASTM A 312, Grade TP-316) |
| 4 | Standard Weight End Cap | Stainless Steel (ASTM A 403, Grade WP-316) |
| 5 | 150lb. Slip-On Flange | Stainless Steel (ASTM A 182, Grade F-316) |
| 6 | 150lb. Weld-Neck Flange | Stainless Steel (ASTM A 182, Grade F-316) |
| 7 | Standard Weight Pipe | Stainless Steel (ASTM A 312, Grade TP-316) |
| 8 | Standard Weight Tee | Stainless Steel (ASTM A 403, Grade WP-316) |
| 9 | Butterfly Valves | Cast Iron Body / Ductile Iron Nickel Coated Discs – Buna-n Seats / Single Gear Operator |
| 10 | Baskets | Stainless Steel (304) – 1/8" Perforations |
| 11 | Air Vent | 3000# NPT SS Half Coupling (ASTM A 182, Grade 316) |
| 12 | Drain Connection | 3000# NPT SS Half Coupling (ASTM A 182, Grade 316) |
| 13 | Differential Pressure Taps | 3000# NPT SS Half Coupling (ASTM A 182, Grade 316) |
| 14 | Cover Gasket | Fiber |
| 15 | Lifting Davit Components | Stainless Steel (ASTM A 312 & ASTM A 240) |

*Buna-n o-ring good for temperatures up to 250°F. For higher temperatures, consult Factory.

| | |
|---|-------------------------|
|  3400 CLEVELAND SKOKIE ILLINOIS | DRAWING NO. AL 94700 |
| | PART NO. |
| DIMENSIONAL ASSEMBLY | SCALE: NTS |
| 150Lb. Flange Style FSSDPXF Fabricated Duplex Basket Strainer | DATE: 07/01/2011 |
| MAT'L: Fabricated (316ss) REQ. --- | DR. BY DSF |